

SPEAKMAN®

Pedestal Mounted Round Eye/Face Wash Bowl

SE-491
SE-491-SS

SPECIFICATION



MODELS:

- SE-491: Stainless steel bowl with dual soft flowing eye/face wash spray heads
- SE-491-SS: All stainless steel components with dual soft flowing eye/face wash spray heads

FEATURES:

- Pedestal mounted eye/face wash features a stainless steel bowl, dual spray heads with automatic flow controls and flip top dust caps.
- Stainless steel bowl
- (2) Yellow plastic spray outlet, sprayface, and dust caps (SE-491)
- (2) Stainless steel sprayheads (SE-491-SS)
- ½ in. NPT female brass, chrome-plated valve (SE-491)
- ½ in. NPT female stainless steel valve (SE-491-SS)
- Stainless steel push handle activator
- ½ in. NPT female inlet
- 1-¼ in. IPS galvanized steel pipe (SE-491)
- 1-¼ in. stainless steel pipe (SE-491-SS)
- Galvanized steel cast floor flange with (3) ½ in. diameter mounting holes 9 in. diameter bolt circle, spaced 120° apart
- 1-¼ in. NPT female waste
- 4.5 gpm @ 30 psi
- Universal emergency sign included

COMPLIANCE:

- Certified to ANSI/ISEA Z358.1

FINISHES:

- DuraJade™

OPTIONS:

ADD SUFFIX TO MODEL #

- | | |
|---|---------------------------------|
| • Stainless steel cover | <input type="checkbox"/> -CV |
| • Freeze protection valve | <input type="checkbox"/> -FPV |
| • Hand/foot operation | <input type="checkbox"/> -HFO |
| • SE-920 hand held drench hose | <input type="checkbox"/> HS |
| • In-line strainer for 1/2 in. IPS piping | <input type="checkbox"/> -ILS |
| • P-Trap | <input type="checkbox"/> -PT |
| • Scald protection valve | <input type="checkbox"/> -SPV |
| • ½ in. stainless steel ball valve | <input type="checkbox"/> -SSBV2 |

WARRANTY:

- 3 year limited

SEE REVERSE FOR ROUGH-IN DIMENSIONS

THIS SPACE FOR ARCHITECT/ENGINEER APPROVAL.

SPEAKMAN®

400 ANCHOR MILL ROAD | NEW CASTLE, DE 19720
P: 800-537-2107 | F: 800-977-2747
WWW.SPEAKMANCOMPANY.COM

REVISION DATE: SEPTEMBER 2014



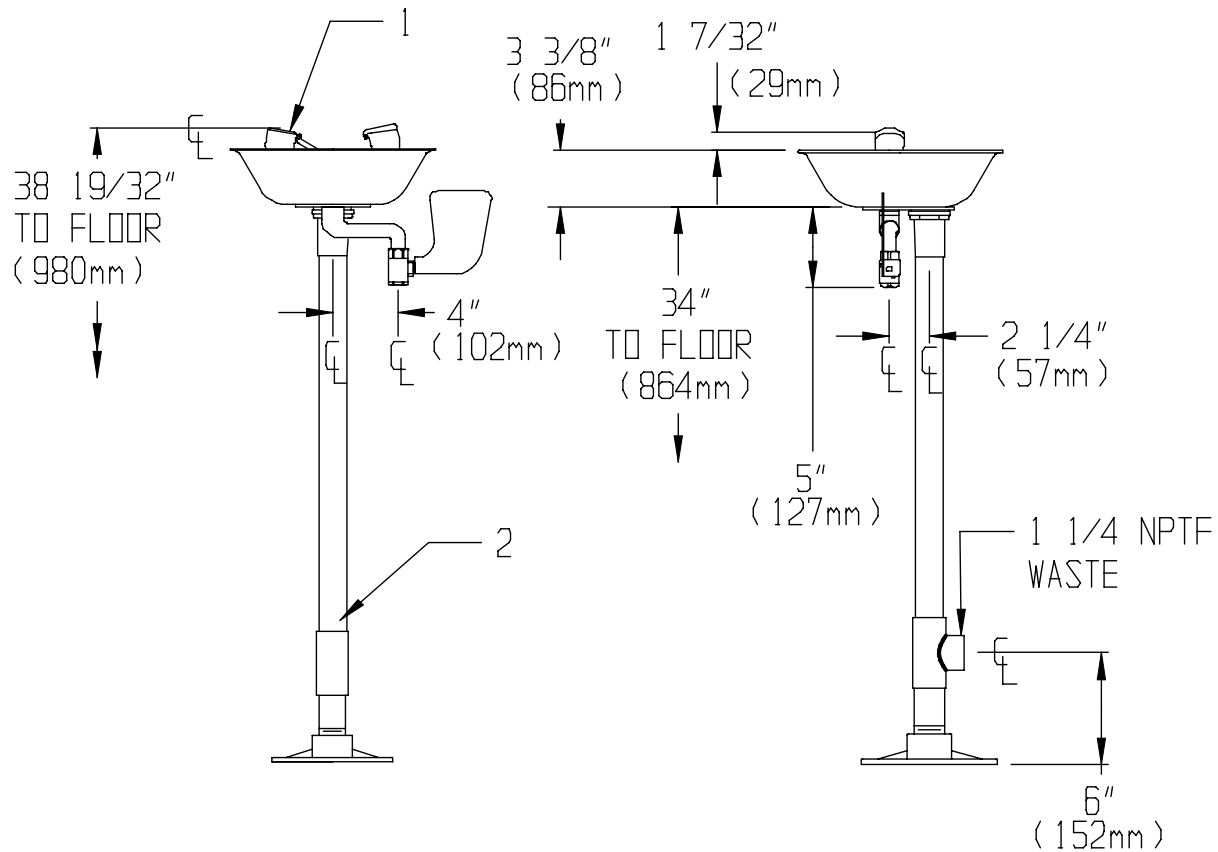
Management Systems
Registered to ISO 9001

603

SPEAKMAN®

Pedestal Mounted Round Eye/Face Wash Bowl SE-491, SE-491-SS

SPECIFICATION



NOTE: 1. All dimensions are in inches (millimeters) unless otherwise specified and are subject to change without notice.

THIS SPACE FOR ARCHITECT/ENGINEER APPROVAL.

SPEAKMAN®

400 ANCHOR MILL ROAD | NEW CASTLE, DE 19720
P: 800-537-2107 | F: 800-977-2747
WWW.SPEAKMANCOMPANY.COM



Management Systems
Registered to ISO 9001

REVISION DATE: SEPTEMBER 2014