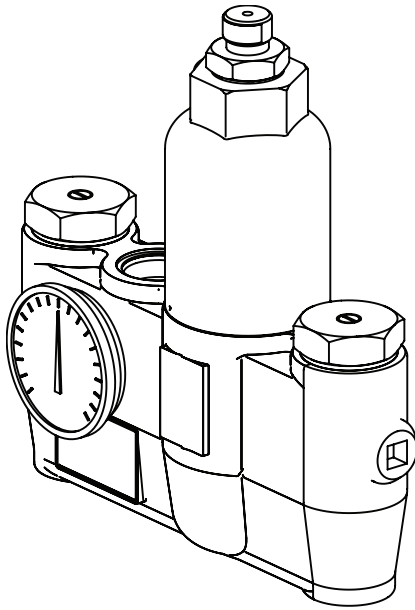


SPEAKMAN®

Thermostatic Mixing Valve

SE-350

SPECIFICATION



FEATURES:

- 53 gpm capacity supports a up to 2 (two) emergency showers and/or eyewashes @ 30 psi flowing.
- Provides 41 gpm cold water bypass in case of hot water or thermostatic element failure
- Inlet connections: 1 in. NPT
- Outlet connection: 1 ¼ in. NPT
- Temperature range: 65°-90° F
- Maximum pressure 125 PSI
- Inlet temperature hot: 120°-140° F
- Inlet temperature cold: 33°-80° F
- Minimum temperature differential (from valve set point): 20° F
- Valves provide a positive shutoff when cold water is lost
- Integral strainer checkstops on inlets
- Adjustable set point

COMPLIANCE:

- ASSE 1071 Certified

FINISHES:

- Rough brass (standard)

OPTION:

ADD SUFFIX TO MODEL #

- Flush mounted cabinet

SE-356

WARRANTY:

- 1 year limited
- 10-Year warranty on thermostat

Flow Capacities – GPM (L/Min)

Model	Min. Flow	Pressure Drop – PSI (Bar)						
		5 (.5)	10 (1.0)	15 (1.5)	20 (2.0)	30 (2.5)	45 (3.0)	60 (4.0)
SE-350	2.0 (7.5)	22.0 (99.5)	31.0 (141.0)	38.0 (172.5)	43.5 (199.0)	53.5 (222.5)	65.5 (244.0)	75.5 (281.5)
Cold Bypass only		16.5 (76.3)	23.5 (108.0)	29.0 (132.0)	33.5 (152.5)	41.0 (170.5)	50.0 (187.0)	58.0 (216.0)



This plumbing fixture is not intended to dispense water for human consumption through drinking or for preparation of food or beverages.

SEE REVERSE FOR ROUGH-IN DIMENSIONS

THIS SPACE FOR ARCHITECT/ENGINEER APPROVAL.

SPEAKMAN®

400 ANCHOR MILL ROAD | NEW CASTLE, DE 19720
P: 800-537-2107 | F: 800-977-2747
WWW.SPEAKMANCOMPANY.COM

REVISION DATE: APRIL 2014

Management Systems
Registered to ISO 9001

567

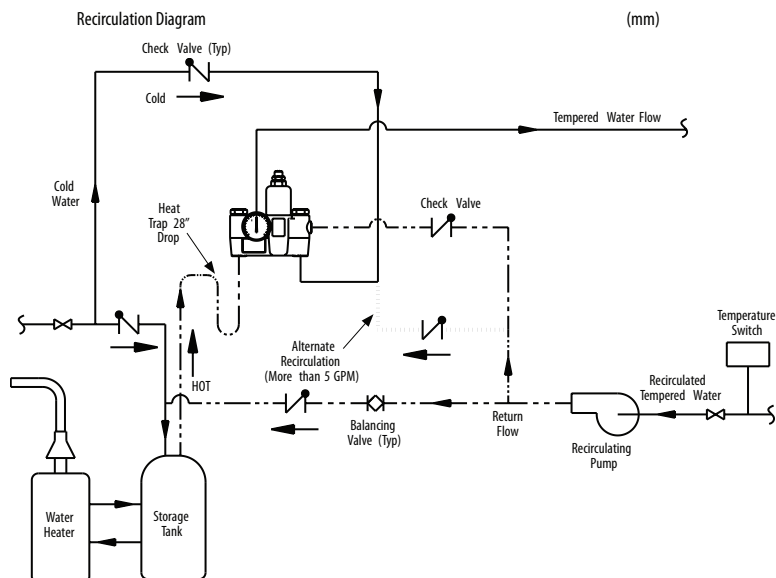
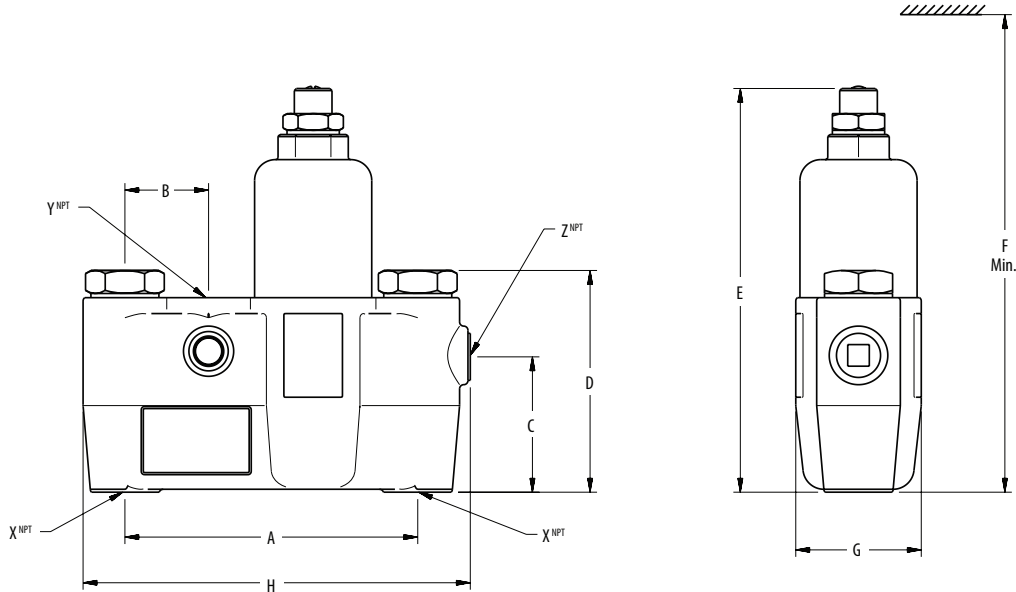
SPEAKMAN®

Thermostatic Mixing Valve SE-350

SPECIFICATION

Dimensions

Model	A	B	C	D	E	F	G	H	X ^{NPT}	Y ^{NPT}	Z ^{NPT}
SE-350	8-3/4" (224)	2-1/2" (64)	3-1/2" (89)	5-1/4" (135)	12-1/4" (312)	19" (483)	3-5/8" (91)	11-3/8" (290)	1"	1-1/4"	3/4"



(mm)

NOTE: 1. All dimensions are in inches (millimeters) unless otherwise specified and are subject to change without notice.

THIS SPACE FOR ARCHITECT/ENGINEER APPROVAL.

SPEAKMAN®

400 ANCHOR MILL ROAD | NEW CASTLE, DE 19720
 P: 800-537-2107 | F: 800-977-2747
 WWW.SPEAKMANCOMPANY.COM

Management Systems
 Registered to ISO 9001

REVISION DATE: APRIL 2014