

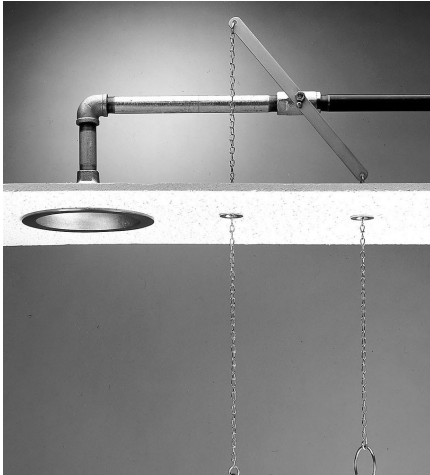
# SPEAKMAN®

## Ceiling Mounted Emergency Shower

SE-236  
SE-236-PR

SPECIFICATION

SE-236



SE-236-PR



### MODELS:

- SE-236: Emergency Shower activated by a stainless steel ring and chain
- SE-236-PR: Emergency Shower with yellow pull rod handle activation

### FEATURES:

- 10 in. flush mounted, polished chrome plated showerhead
- Horizontal supply
- Internal 20 gpm regulator flow control
- 1 in. NPT female brass, chrome-plated, stay-open valve
- Brass, chrome plated flange
- 1 in. IPS galvanized steel pipe
- 20 gpm @ 20 psi
- Universal Emergency Sign Included

### OPTIONS:

ADD SUFFIX TO MODEL #

- Anti-freeze protection valve  -FPV
- Anti-scald protection valve  -SPV
- 1 in. IPS stainless steel ball valve  -SSBV1

### WARRANTY:

- 3 year limited

SEE REVERSE FOR ROUGH-IN DIMENSIONS

THIS SPACE FOR ARCHITECT/ENGINEER APPROVAL.

# SPEAKMAN®

400 ANCHOR MILL ROAD | NEW CASTLE, DE 19720  
P: 800-537-2107 | F: 800-977-2747  
WWW.SPEAKMANCOMPANY.COM

REVISION DATE: JANUARY 2014

Management Systems  
Registered to ISO 9001

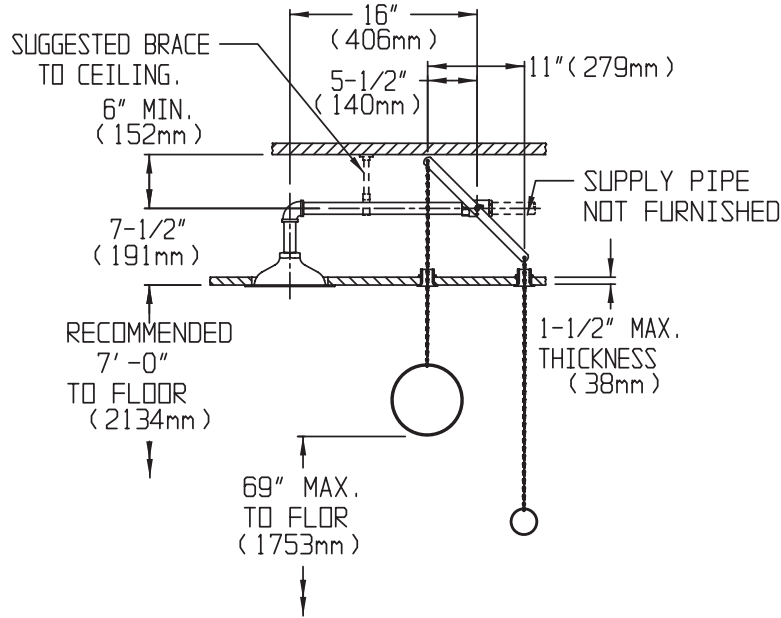
687

# SPEAKMAN®

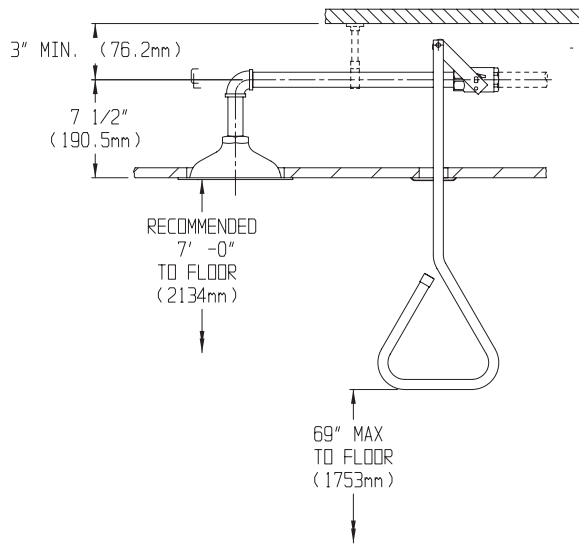
## Ceiling Mounted Emergency Shower SE-236, SE-236-PR

SPECIFICATION

SE-236



SE-236-PR



NOTE: 1. All dimensions are in inches (millimeters) unless otherwise specified and are subject to change without notice.

THIS SPACE FOR ARCHITECT/ENGINEER APPROVAL.

# SPEAKMAN®

400 ANCHOR MILL ROAD | NEW CASTLE, DE 19720  
 P: 800-537-2107 | F: 800-977-2747  
 WWW.SPEAKMANCOMPANY.COM

Management Systems  
 Registered to ISO 9001

REVISION DATE: JANUARY 2014