

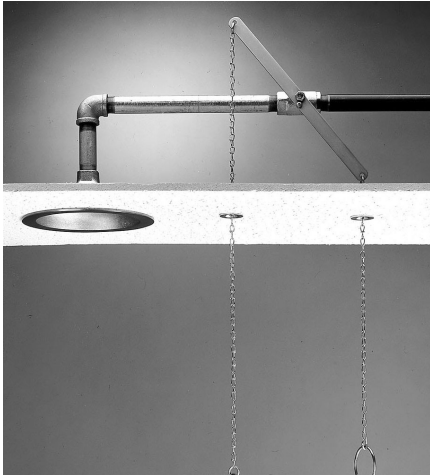
SPEAKMAN®

Ceiling Mounted Emergency Shower

SE-236
SE-236-PR

SPECIFICATION

SE-236



SE-236-PR



MODELS:

- SE-236: Emergency Shower activated by a stainless steel ring and chain
- SE-236-PR: Emergency Shower with yellow pull rod handle activation

FEATURES:

- 10 in. flush mounted, polished chrome plated showerhead
- Horizontal supply
- Internal 20 gpm regulator flow control
- 1 in. NPT female brass, chrome-plated, stay-open valve
- Brass, chrome plated flange
- 1 in. IPS galvanized steel pipe
- 20 gpm @ 20 psi
- Universal Emergency Sign Included

OPTIONS:

ADD SUFFIX TO MODEL #

- Anti-freeze protection valve -FPV
- Anti-scald protection valve -SPV
- 1 in. IPS stainless steel ball valve -SSBV1

WARRANTY:

- 3 year limited

SEE REVERSE FOR ROUGH-IN DIMENSIONS

THIS SPACE FOR ARCHITECT/ENGINEER APPROVAL.

SPEAKMAN®

400 ANCHOR MILL ROAD | NEW CASTLE, DE 19720
P: 800-537-2107 | F: 800-977-2747
WWW.SPEAKMANCOMPANY.COM

REVISION DATE: JANUARY 2014

Management Systems
Registered to ISO 9001

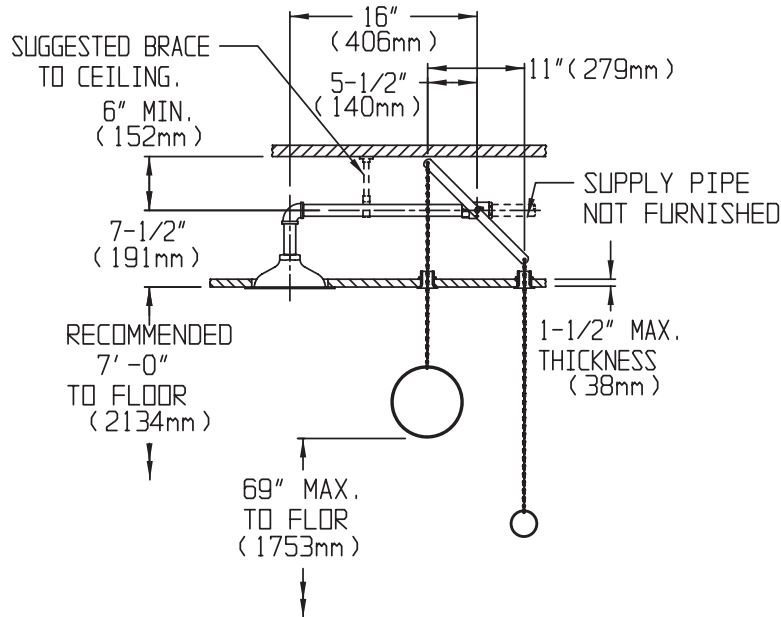
687

SPEAKMAN®

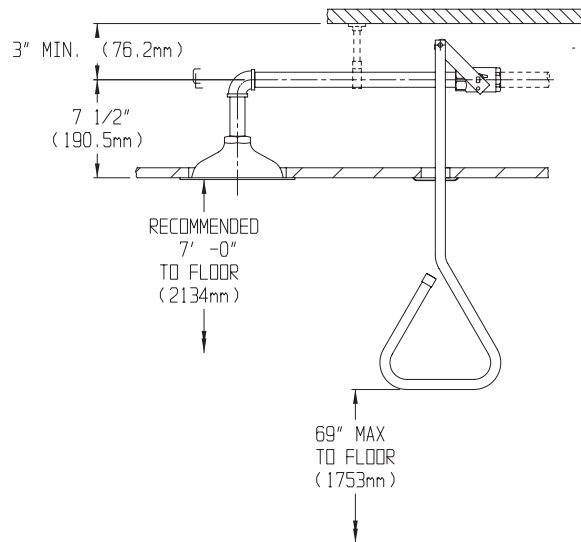
Ceiling Mounted Emergency Shower SE-236, SE-236-PR

SPECIFICATION

SE-236



SE-236-PR



NOTE: 1. All dimensions are in inches (millimeters) unless otherwise specified and are subject to change without notice.

THIS SPACE FOR ARCHITECT/ENGINEER APPROVAL.

SPEAKMAN®

400 ANCHOR MILL ROAD | NEW CASTLE, DE 19720
P: 800-537-2107 | F: 800-977-2747
WWW.SPEAKMANCOMPANY.COM

Management Systems
Registered to ISO 9001

REVISION DATE: JANUARY 2014