

# SPEAKMAN®

Lifesaver® Emergency Shower

SE-220  
SE-220-ADA

SE-220-SS

SPECIFICATION



## MODELS:

- SE-220: Emergency Shower
- SE-220-ADA: Emergency Shower with extra long pull rod of ADA accessibility
- SE-220-SS: Emergency Shower with all stainless steel components

## FEATURES:

- 8 in. yellow plastic showerhead (SE-220 and SE-220-ADA)
- 8 in. stainless steel showerhead (SE-220-SS)
- Vertical overhead supply
- Internal 20 gpm regulator flow control
- 1 in. NPT female brass, chrome-plated, stay-open valve (SE-220)
- 1 in. NPT female stainless steel stay-open valve (SE-220-SS)
- Powder coated yellow, aluminum triangular pull rod activator
- 1 in. NPT female inlet
- 20 gpm @ 30 psi
- Universal Emergency Sign Included

## FINISHES:

- DuraJade™ (SE-220, SE-220-ADA)
- Stainless steel (SE-220-SS)

## OPTIONS:

ADD SUFFIX TO MODEL #

- |   |                                 |
|---|---------------------------------|
| • Anti-freeze protection valve                | <input type="checkbox"/> -FPV   |
| • Self-closing shower valve with chain & ring | <input type="checkbox"/> -SCSV  |
| • Anti-scald protection valve                 | <input type="checkbox"/> -SPV   |
| • 1 in. IPS stainless steel ball valve        | <input type="checkbox"/> -SSBV1 |
| • Stainless steel showerhead                  | <input type="checkbox"/> -SSH   |

## WARRANTY:

- 3 year limited

SEE REVERSE FOR ROUGH-IN DIMENSIONS

THIS SPACE FOR ARCHITECT/ENGINEER APPROVAL.

# SPEAKMAN®

400 ANCHOR MILL ROAD | NEW CASTLE, DE 19720  
P: 800-537-2107 | F: 800-977-2747  
WWW.SPEAKMANCOMPANY.COM

REVISION DATE: JANUARY 2014

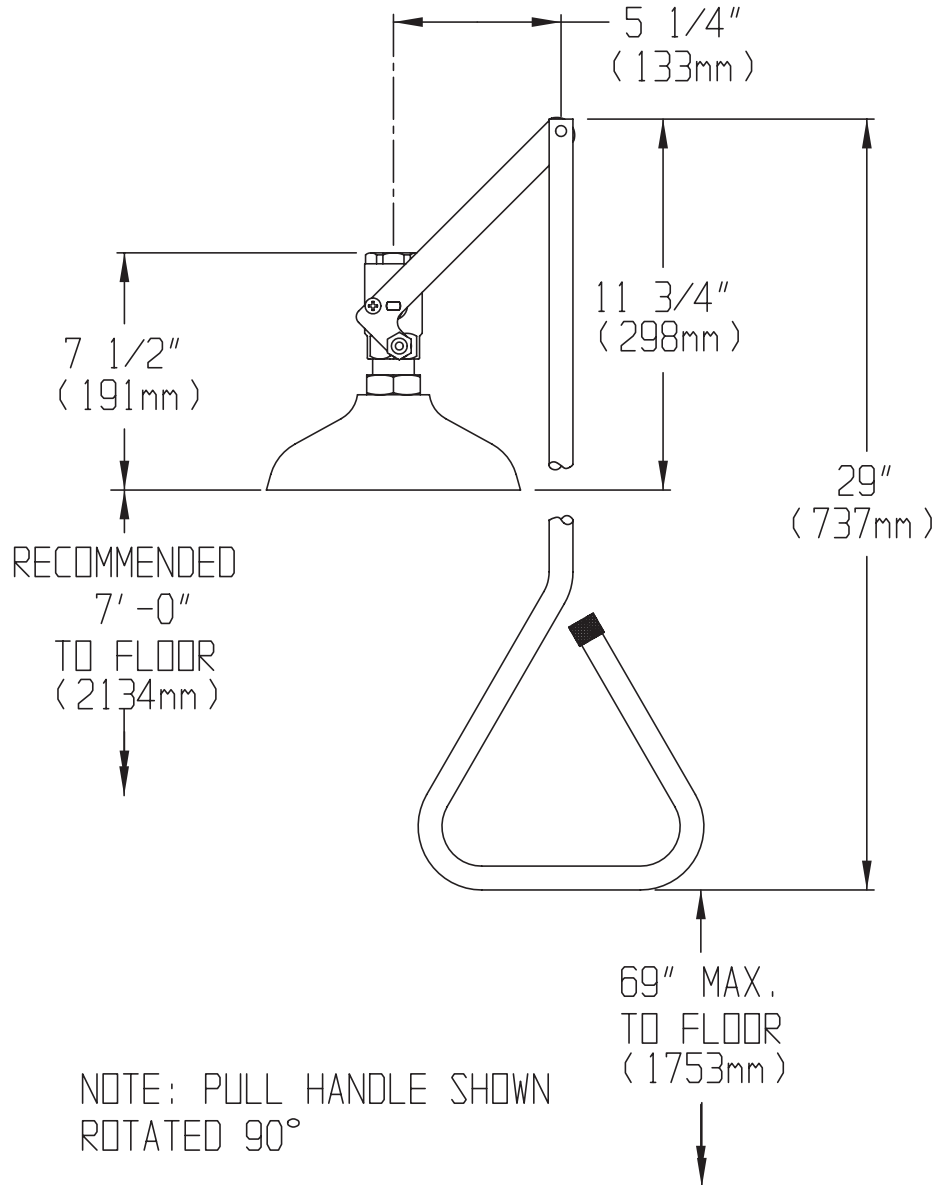
Management Systems  
Registered to ISO 9001

683

# SPEAKMAN®

## Lifesaver® Emergency Shower SE-220, SE-220-ADA, SE-220-SS

SPECIFICATION



NOTE: 1. All dimensions are in inches (millimeters) unless otherwise specified and are subject to change without notice.

THIS SPACE FOR ARCHITECT/ENGINEER APPROVAL.

# SPEAKMAN®

400 ANCHOR MILL ROAD | NEW CASTLE, DE 19720  
P: 800-537-2107 | F: 800-977-2747  
WWW.SPEAKMANCOMPANY.COM

Management Systems  
Registered to ISO 9001

REVISION DATE: JANUARY 2014