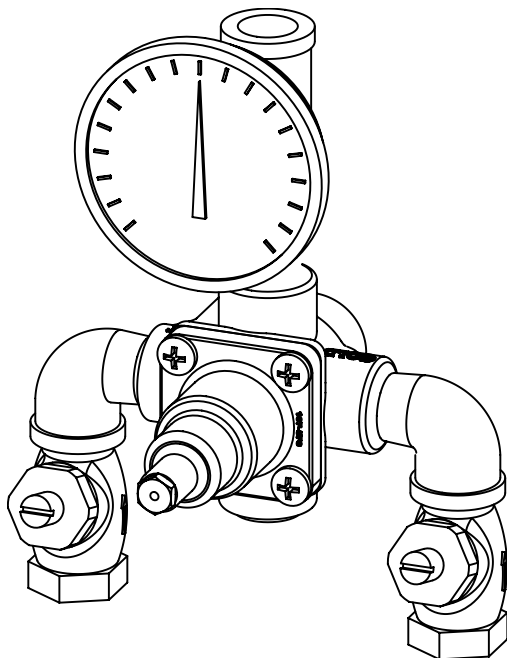


SPEAKMAN®

Thermostatic Mixing Valve

SE-370, SEF-TW, SEF-TW-EW

SPECIFICATION



Flow Capacities – GPM (L/Min)

Model	Min. Flow	Pressure Drop – PSI (Bar)						
		5 (.5)	10 (1.0)	15 (1.5)	20 (2.0)	30 (2.5)	45 (3.0)	60 (4.0)
SE-370	1.5 (5.5)	3.0 (13.5)	4.0 (19.0)	5.0 (23.5)	6.0 (27.0)	7.3 (30.5)	9.0 (33.5)	10.5 (38.5)
Cold Bypass Only		2.3 (10.5)	3.2 (14.5)	4.0 (18.0)	4.6 (21.0)	5.6 (23.5)	6.8 (25.5)	7.7 (29.5)

This plumbing fixture is not intended to dispense water for human consumption through drinking or for preparation of food or beverage

MODELS:

- SE-370
- SEF-TW
- SEF-TW-EW

FEATURES:

- 7 gpm capacity supports most single eye or eye/face wash stations @ 30 psi flowing
- Provides 5 gpm cold water bypass in case of hot water or thermostatic element failure @ 30 psi flowing
- Inlet connections: ½ in. NPT
- Outlet connection: ½ in. NPT
- Temperature range: 65°-90° F
- Maximum pressure 125 PSI
- Inlet temperature hot: 120°-140° F
- Inlet temperature cold: 33°-80° F
- Minimum temperature differential (from valve set point): 20° F
- Automatic spring check stops
- Valve holds to a +/- 3° F temperature
- Valves provide a positive shutoff when cold water is lost
- Integral strainer checkstops on inlets
- Set Point = 85° F
- Adjustable set point

COMPLIANCE:

- ASSE 1071 Certified

FINISHES:

- Rough brass (standard)

OPTION:

ADD SUFFIX TO MODEL #

- Flush mounted cabinet SE-376

WARRANTY:

- 1 year limited
- 10-Year warranty on thermostat

SEE REVERSE FOR ROUGH-IN DIMENSIONS

THIS SPACE FOR ARCHITECT/ENGINEER APPROVAL.

SPEAKMAN®

400 ANCHOR MILL ROAD | NEW CASTLE, DE 19720
 P: 800-537-2107 | F: 800-977-2747
 WWW.SPEAKMANCOMPANY.COM

REVISION DATE: APRIL 2014

Management Systems
 Registered to ISO 9001

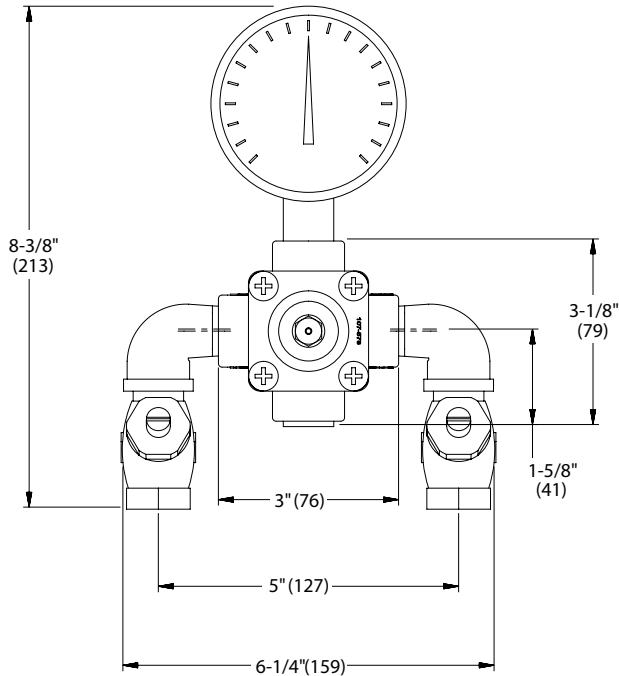
SPEAKMAN®

Thermostatic Mixing Valve SE-370, SEF-TW, SEF-TW-EW

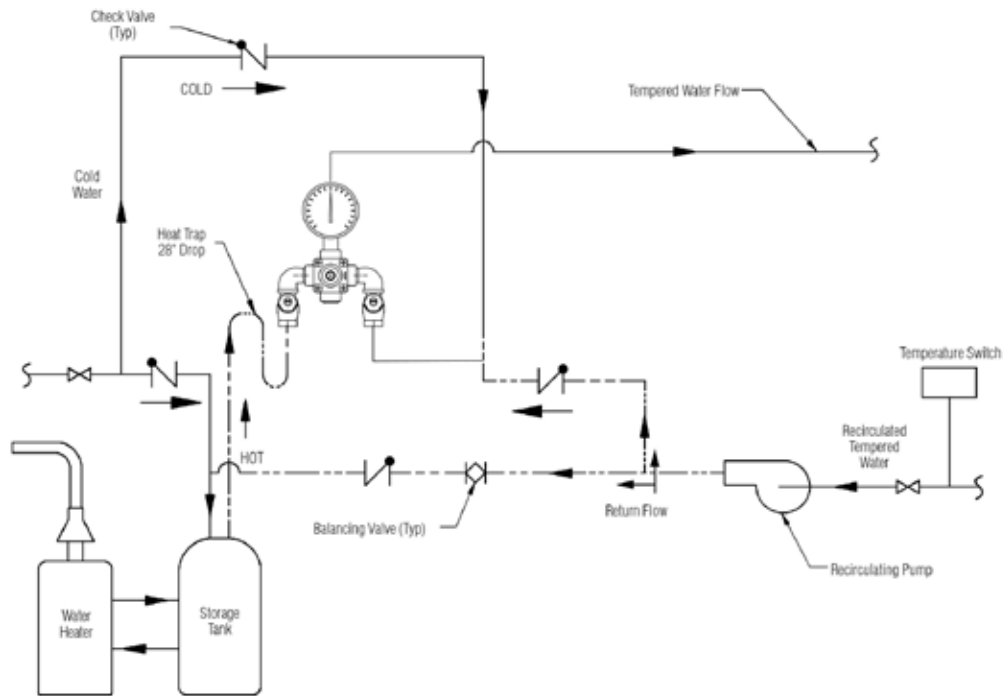
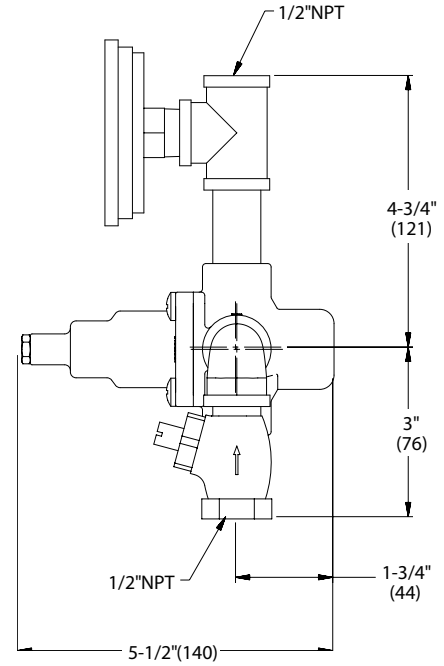
SPECIFICATION

Dimensions

Front View



Side View



NOTE: 1. All dimensions are in inches (millimeters) unless otherwise specified and are subject to change without notice.

THIS SPACE FOR ARCHITECT/ENGINEER APPROVAL.

SPEAKMAN®

400 ANCHOR MILL ROAD | NEW CASTLE, DE 19720
 P: 800-537-2107 | F: 800-977-2747
 WWW.SPEAKMANCOMPANY.COM

Management Systems
 Registered to ISO 9001

REVISION DATE: APRIL 2014