

# SPEAKMAN®

## Combination Eyewash & Drench Hose

SE-925-TEW

SPECIFICATION



### FEATURES:

- Wall mounted
- Aerated, yellow plastic spray outlet, dust cap and an automatic flow control
- 3/8 in. NPT female brass, chrome-plated.
- Brass, chrome-plated squeeze handle activator
- 12 ft. recoiling hose
- 3/8 in. NPT male inlet, swivel connection
- 2.69 gpm @ 30 psi
- Universal Emergency Sign Included

### COMPLIANCE:

- Certified to ANSI/ISEA Z358.1

### OPTIONS:

ADD SUFFIX TO MODEL #

- Vacuum breaker

□ -VB

### WARRANTY:

- 3 year limited

SEE REVERSE FOR ROUGH-IN DIMENSIONS

THIS SPACE FOR ARCHITECT/ENGINEER APPROVAL.

---

# SPEAKMAN®

400 ANCHOR MILL ROAD | NEW CASTLE, DE 19720  
P: 800-537-2107 | F: 800-977-2747  
WWW.SPEAKMANCOMPANY.COM

REVISION DATE: JUNE 2014

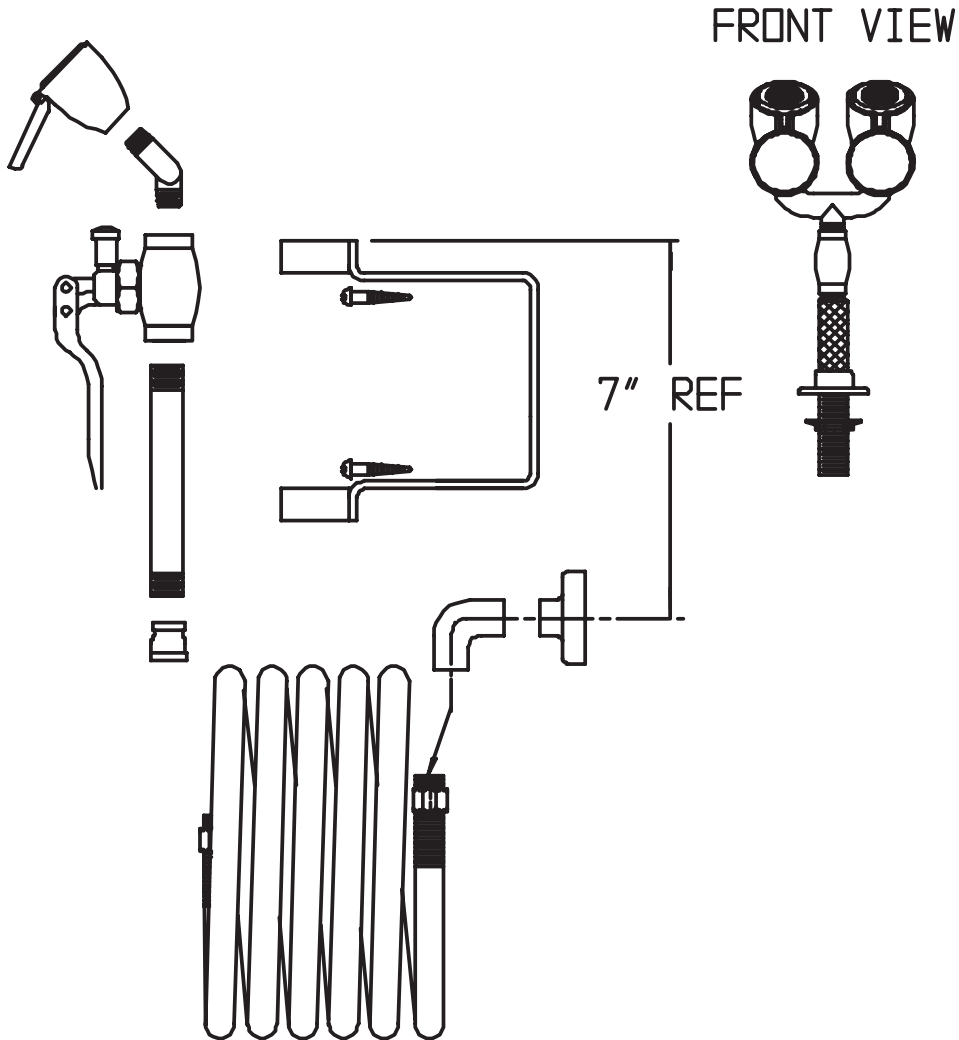


Management Systems  
Registered to ISO 9001

# SPEAKMAN®

## Combination Eyewash & Drench Hose SE-925-TEW

SPECIFICATION



NOTE: 1. All dimensions are in inches (millimeters) unless otherwise specified and are subject to change without notice.

THIS SPACE FOR ARCHITECT/ENGINEER APPROVAL.

# SPEAKMAN®

400 ANCHOR MILL ROAD | NEW CASTLE, DE 19720  
P: 800-537-2107 | F: 800-977-2747  
WWW.SPEAKMANCOMPANY.COM



Management Systems  
Registered to ISO 9001

REVISION DATE: JUNE 2014