

EYE/FACE WASH: SE-490 FEATURES:

- Stainless steel bowl
- (2) yellow plastic spray outlets with flip-top dust caps
- ½ in. NPT female brass, chrome-plated, full flow stay-open ball valve
- Stainless steel push handle activator
- ½ in. NPT male inlet
- 4.5 gpm @ 30 psi
- Universal Emergency Sign Included

SHOWER FEATURES:

- 8 in. Cylolac® yellow plastic showerhead
- Internal 20 gpm restrictor flow control
- 1 in. NPT female brass, chrome-plated, full flow stay-open ball valve
- Powder coated yellow, aluminum triangular pull rod activator
- 1 ¼ in. IPS galvanized steel piping stanchion with brass fittings
- 1 ¼ in. NPT female inlet & waste
- DuraJade™ powder-coated finish on stanchion for durability and enhanced corrosion resistance.
- 20 gpm @ 30 psi

COMPLIANCE:

- Certified to ANSI/ISEA Z358.1

FINISHES:

- DuraJade™ powder-coated galvanized steel (standard)

OPTIONS:

ADD SUFFIX TO MODEL #

- | | |
|---|---------------------------------|
| • Stainless steel cover | <input type="checkbox"/> -CV |
| • Anti-freeze protection valve | <input type="checkbox"/> -FPV |
| • Hand & foot operation | <input type="checkbox"/> -HFO |
| • Hand-held spray | <input type="checkbox"/> -HS |
| • Self-closing shower valve with chain & ring | <input type="checkbox"/> -SCSV |
| • Stainless steel pull rod | <input type="checkbox"/> -SPR |
| • Anti-scald protection valve | <input type="checkbox"/> -SPV |
| • 1 in. IPS stainless steel ball valve | <input type="checkbox"/> -SSBV1 |
| • ½ in. IPS stainless steel ball valve | <input type="checkbox"/> -SSBV2 |
| • Stainless steel showerhead | <input type="checkbox"/> -SSH |

WARRANTY:

- 3 year limited

SEE REVERSE FOR ROUGH-IN DIMENSIONS

THIS SPACE FOR ARCHITECT/ENGINEER APPROVAL.

SPEAKMAN®

400 ANCHOR MILL ROAD | NEW CASTLE, DE 19720
P: 800-537-2107 | F: 800-977-2747
WWW.SPEAKMANCOMPANY.COM

REVISION DATE: JANUARY 2015

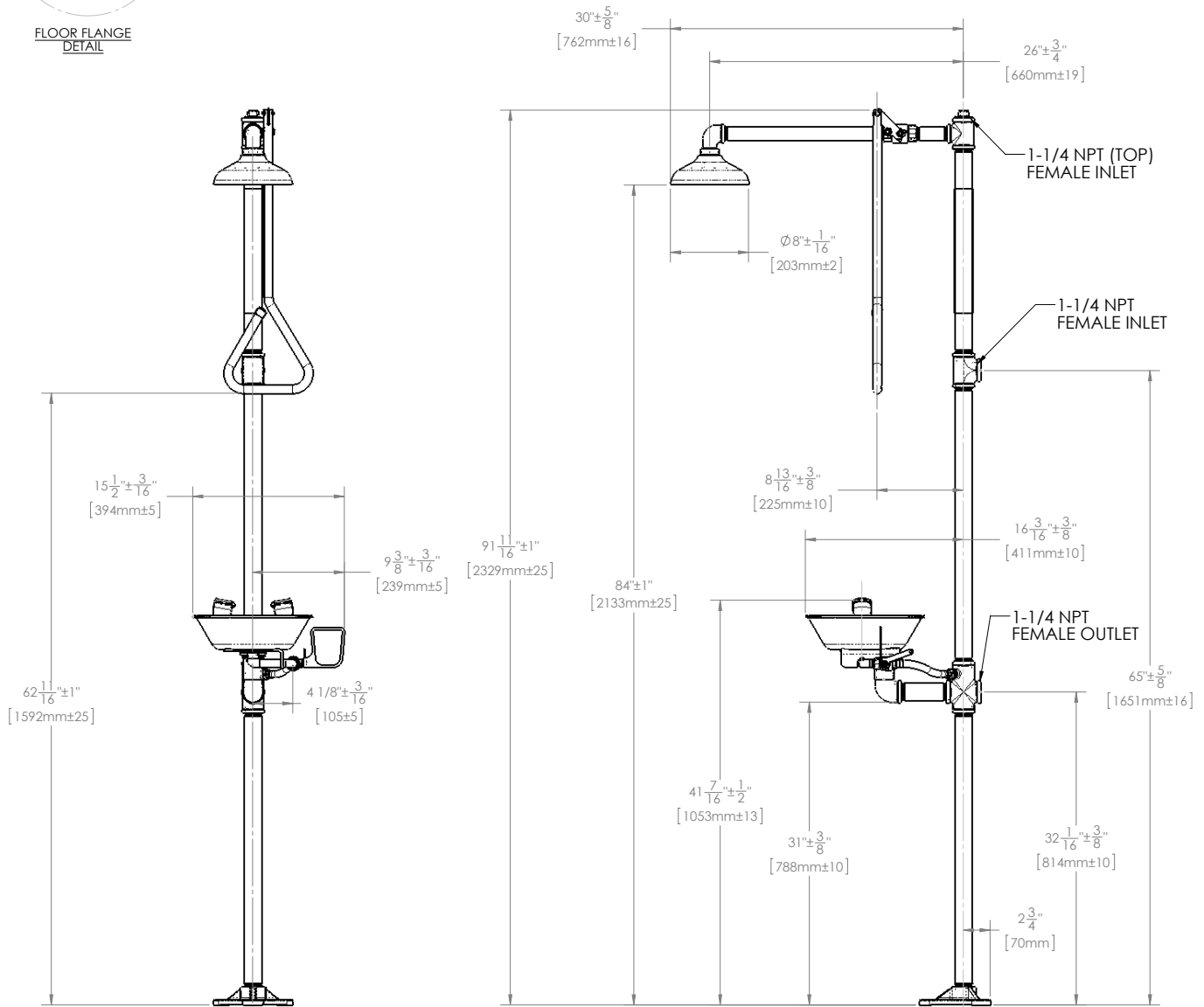
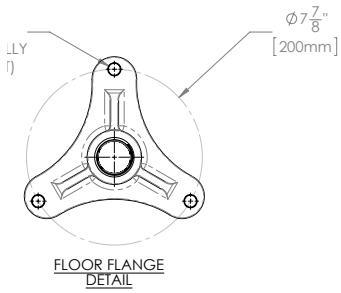


Management Systems
Registered to ISO 9001

SPEAKMAN®

Combination Shower with Round Eye/Face Wash System SE-690

SPECIFICATION



NOTE: 1. All dimensions are in inches (millimeters) unless otherwise specified and are subject to change without notice.

THIS SPACE FOR ARCHITECT/ENGINEER APPROVAL.

SPEAKMAN®

400 ANCHOR MILL ROAD | NEW CASTLE, DE 19720
 P: 800-537-2107 | F: 800-977-2747
 WWW.SPEAKMANCOMPANY.COM

REVISION DATE: JANUARY 2015



Management Systems
 Registered to ISO 9001