

### FEATURES:

- 8 in. Cyclac® yellow plastic showerhead
- Internal 20 gpm restrictor flow control
- 1 in. NPT female brass, chrome-plated, full flow stay-open ball valve
- Powder coated yellow, aluminum triangular pull rod activator
- 1 ¼ in. IPS galvanized steel piping stanchion with brass fittings
- 1 ¼ in. NPT female inlet
- 20 gpm @ 30 psi

### EYE/FACE WASH: SE-575

- (2) yellow plastic spray outlets with flip-top dust caps
- ½ in. NPT female brass, chrome-plated, full flow stay-open ball valve
- Stainless steel push handle activator
- ½ in. NPT male inlet
- 4.5 gpm @ 30 psi
- Universal Emergency Sign Included

### COMPLIANCE:

- Certified to ANSI/ISEA Z358.1

### FINISHES:

- Galvanized Steel (standard)

### OPTIONS:

ADD SUFFIX TO MODEL #

- Anti-freeze protection valve  -FPV
- Hand & foot operation  -HFO
- Hand-held spray  -HS
- Self-closing shower valve with chain & ring  -SCSV
- Stainless steel pull rod  -SPR
- Anti-scald protection valve  -SPV
- 1 in. IPS stainless steel ball valve  -SSBV1
- 1/2 in. IPS stainless steel ball valve  -SSBV2
- Stainless steel showerhead  -SSH

### WARRANTY:

- 3 year limited

SEE REVERSE FOR ROUGH-IN DIMENSIONS

THIS SPACE FOR ARCHITECT/ENGINEER APPROVAL.

# SPEAKMAN®

400 ANCHOR MILL ROAD | NEW CASTLE, DE 19720  
P: 800-537-2107 | F: 800-977-2747  
WWW.SPEAKMANCOMPANY.COM

REVISION DATE: JANUARY 2015

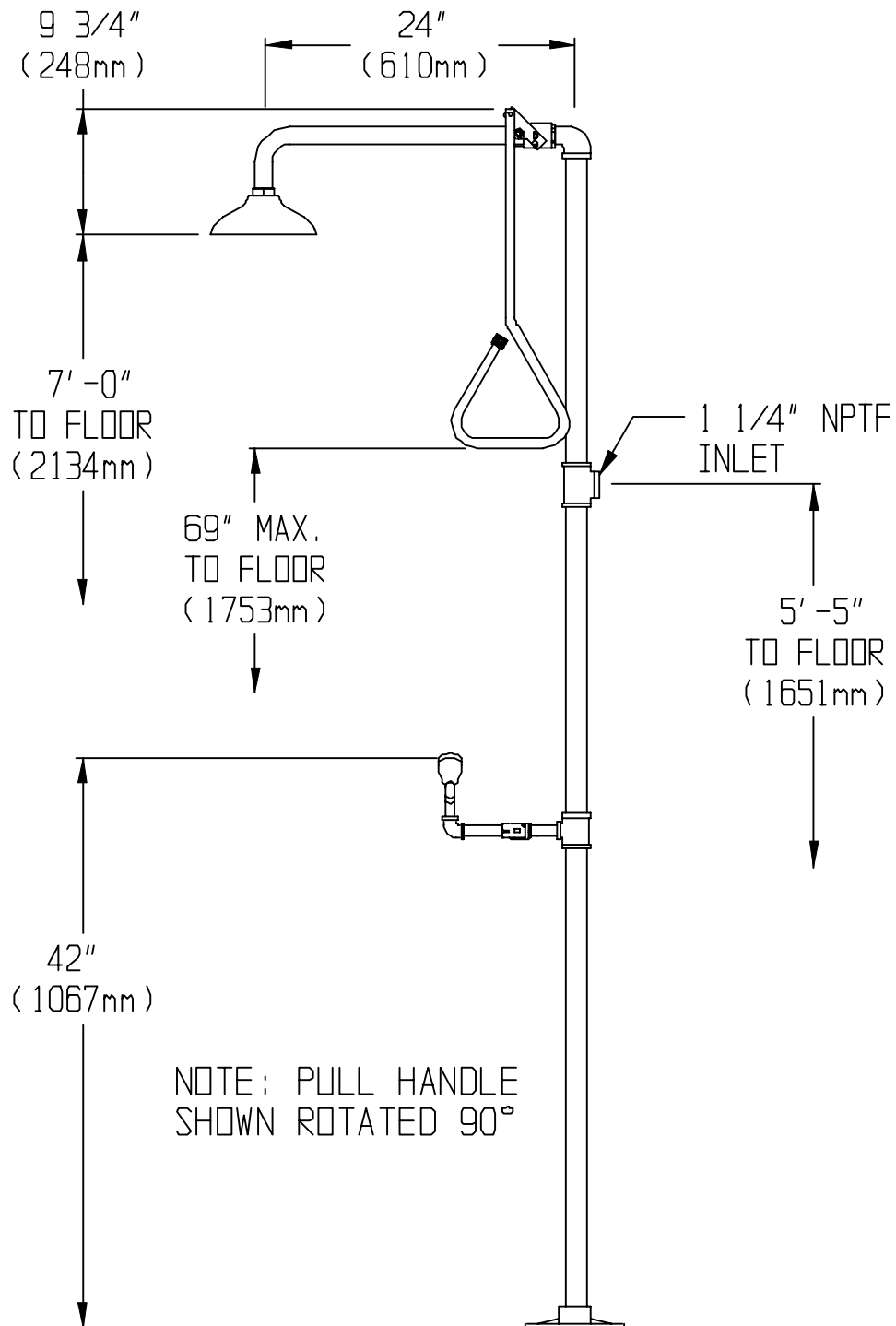


Management Systems  
Registered to ISO 9001

# SPEAKMAN®

## Combination Shower with Eye/Face Wash System SE-675

SPECIFICATION



NOTE: 1. All dimensions are in inches (millimeters) unless otherwise specified and are subject to change without notice.

THIS SPACE FOR ARCHITECT/ENGINEER APPROVAL.

# SPEAKMAN®

400 ANCHOR MILL ROAD | NEW CASTLE, DE 19720  
P: 800-537-2107 | F: 800-977-2747  
WWW.SPEAKMANCOMPANY.COM



Management Systems  
Registered to ISO 9001

REVISION DATE: JANUARY 2015