



FEATURES:

- 8 in. diameter stainless steel showerhead
- Internal 20 gpm regulator flow control
- 1 in. NPT female stainless steel, full flow stay-open ball valve
- Stainless steel triangular pull rod activation
- Stanchion is 1 ½ in. stainless steel, 18 gauge 304 stainless steel tubing
- 1 ¼ in. male inlet and waste
- Stainless steel finish
- 20 gpm @ 30 psi flowing

EYE/FACE WASH: SE-582

- (2) aerated yellow plastic spray outlets
- 300 series stainless steel bowl
- ½ in. NPT female stainless steel, full flow stay-open ball valve
- Stainless steel push handle activator
- ½ in. NPT female inlet
- 3.2 gpm @ 30 psi
- Universal emergency sign included

COMPLIANCE:

- Certified to ANSI/ISEA Z358.1

OPTIONS:

- Extra long pull rod for ADA accessibility -ADA
- Stainless steel cover -CV
- Anti-freeze protection valve -FPV
- Hand & foot operation -HFO
- Hand-held spray -HS
- Self-closing shower valve with chain & ring -SCSV
- Stainless steel pull rod -SPR
- Anti-scald protection valve -SPV
- All stainless steel components -SS

WARRANTY:

- 3 year limited

SEE REVERSE FOR ROUGH-IN DIMENSIONS

THIS SPACE FOR ARCHITECT/ENGINEER APPROVAL.

SPEAKMAN®

400 ANCHOR MILL ROAD | NEW CASTLE, DE 19720
P: 800-537-2107 | F: 800-977-2747
WWW.SPEAKMANCOMPANY.COM

REVISION DATE: JANUARY 2015

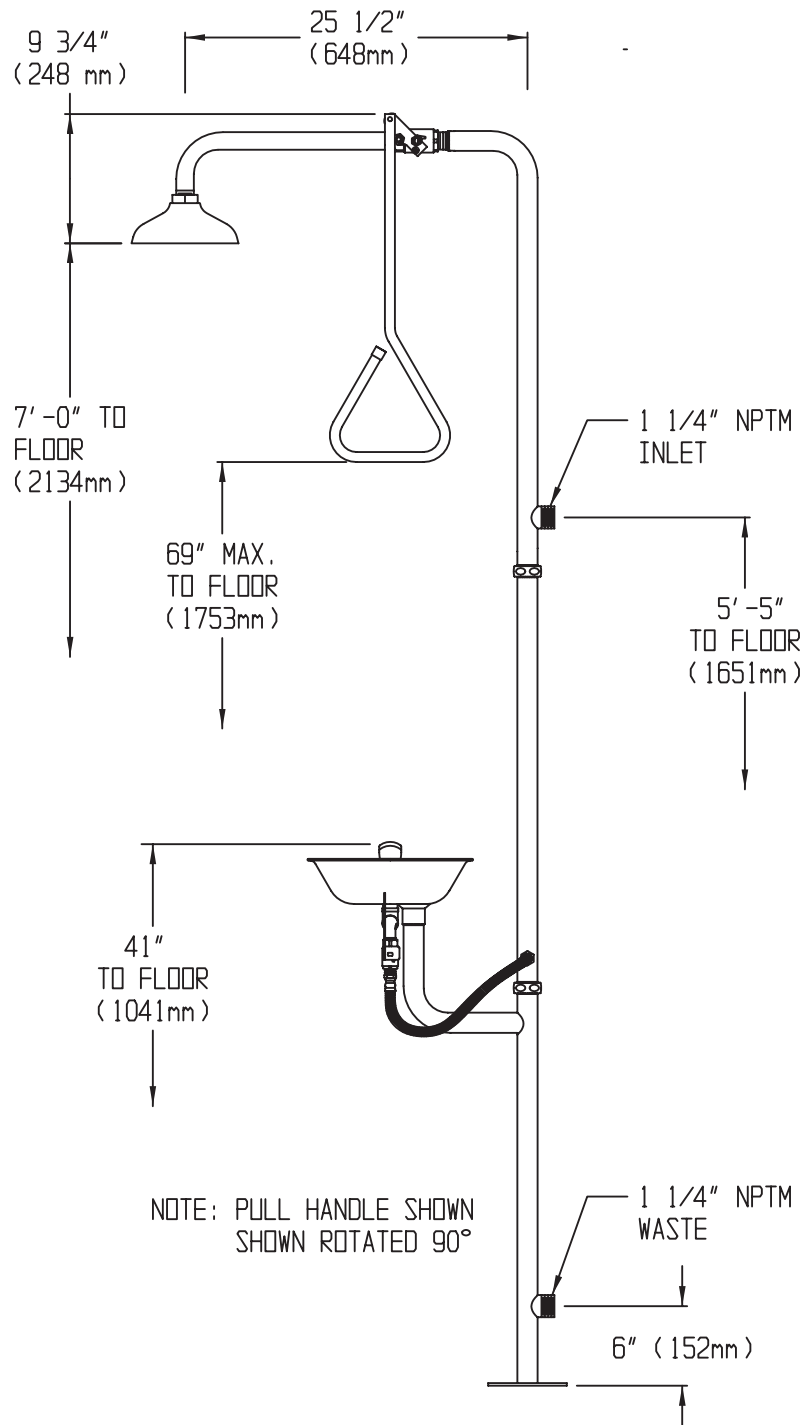


Management Systems
Registered to ISO 9001

SPEAKMAN®

Stainless Steel Combination Shower with Round Eyewash System SE-626

SPECIFICATION



NOTE: 1. All dimensions are in inches (millimeters) unless otherwise specified and are subject to change without notice.

THIS SPACE FOR ARCHITECT/ENGINEER APPROVAL.

SPEAKMAN®

400 ANCHOR MILL ROAD | NEW CASTLE, DE 19720
P: 800-537-2107 | F: 800-977-2747
WWW.SPEAKMANCOMPANY.COM



Management Systems
Registered to ISO 9001

REVISION DATE: JANUARY 2015