

SPEAKMAN®

SE-625 SE-625-ADA SE-625-SS

Stainless Steel Combination Shower with Round Eye/Face Wash System

SPECIFICATION



MODELS:

- SE-625: Combination shower and eye/face wash
- SE-625-ADA: Combination shower and eye/face wash with extra long pull rod for ada accessibility
- SE-625-SS: Combination shower and eye/face wash with all stainless steel components

FEATURES:

- 8 in. diameter stainless steel showerhead
- Internal 20 gpm regulator flow control
- 1 in. NPT female stainless steel, full flow stay-open ball valve
- Stainless steel triangular pull rod activation
- Stanchion is 1½ in. stainless steel, 18 gauge 304 stainless steel tubing
- 1¼ in. male inlet and waste
- Stainless steel finish
- 20 gpm @ 30 psi flowing

EYE/FACE WASH: SE-490, SE-490-SS (SE-625-SS)

- (2) yellow plastic spray outlets with flip-top dust caps (SE-625, SE-625-ADA)
- (2) stainless steel spray outlets with plastic dust covers (SE-625-ADA)
- 300 series stainless steel bowl
- ½ in. NPT female stainless steel, full flow stay-open ball valve
- Stainless steel push handle activator
- ½ in. NPT female inlet
- 4.5 gpm @ 30 psi
- Universal emergency sign included

COMPLIANCE:

- Certified to ANSI/ISEA Z358.1

OPTIONS:

- | | |
|---|--------------------------------|
| • Stainless steel cover | <input type="checkbox"/> -CV |
| • Anti-freeze protection valve | <input type="checkbox"/> -FPV |
| • Hand & foot operation | <input type="checkbox"/> -HFO |
| • Hand-held spray | <input type="checkbox"/> -HS |
| • Self-closing shower valve with chain & ring | <input type="checkbox"/> -SCSV |
| • Stainless steel pull rod | <input type="checkbox"/> -SPR |
| • Anti-scald protection valve | <input type="checkbox"/> -SPV |
| • All stainless steel components | <input type="checkbox"/> -SS |

WARRANTY:

- 3 year limited

SEE REVERSE FOR ROUGH-IN DIMENSIONS

THIS SPACE FOR ARCHITECT/ENGINEER APPROVAL.

SPEAKMAN®

400 ANCHOR MILL ROAD | NEW CASTLE, DE 19720
P: 800-537-2107 | F: 800-977-2747
WWW.SPEAKMANCOMPANY.COM

REVISION DATE: JANUARY 2015



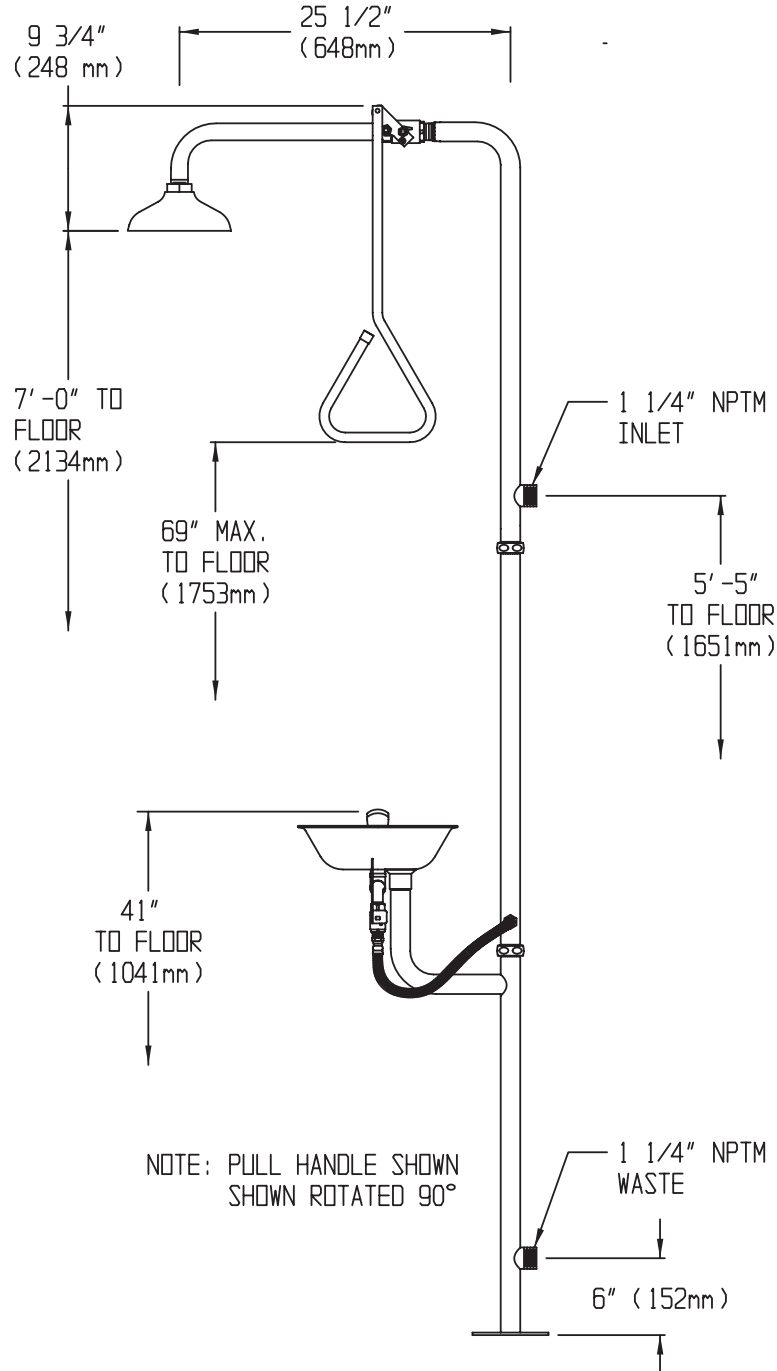
Management Systems
Registered to ISO 9001

655

SPEAKMAN®

Stainless Steel Combination Shower with Round Eye/Face Wash System SE-625, SE-625-ADA, SE-625-SS

SPECIFICATION



NOTE: 1. All dimensions are in inches (millimeters) unless otherwise specified and are subject to change without notice.

THIS SPACE FOR ARCHITECT/ENGINEER APPROVAL.

SPEAKMAN®

400 ANCHOR MILL ROAD | NEW CASTLE, DE 19720
P: 800-537-2107 | F: 800-977-2747
WWW.SPEAKMANCOMPANY.COM

REVISION DATE: JANUARY 2015



Management Systems
Registered to ISO 9001