

SPEAKMAN®

Pressurized Portable Eyewash

SE-597

SPECIFICATION



FEATURES:

5-gallon (19 liters) stainless steel tank

Drench Hose:

- 3/8 in. NPT female brass, chrome plated valve
- 6 ft. reinforced, 750 PSI burst pressure, hose clip for valve hose
- Yellow plastic spray outlet with flip-top dust cap and an automatic flow control
- 12 1/4 lbs. shipping weight
- 61 1/4 lbs. filled weight
- 0.75 gpm for 7 mins.
- Universal emergency sign included

COMPLIANCE:

- Certified to ANSI/ISEA Z358.1

WARRANTY:

- 3 year limited

SEE REVERSE FOR ROUGH-IN DIMENSIONS

THIS SPACE FOR ARCHITECT/ENGINEER APPROVAL.

SPEAKMAN®

400 ANCHOR MILL ROAD | NEW CASTLE, DE 19720
P: 800-537-2107 | F: 800-977-2747
WWW.SPEAKMANCOMPANY.COM

REVISION DATE: JULY 2014

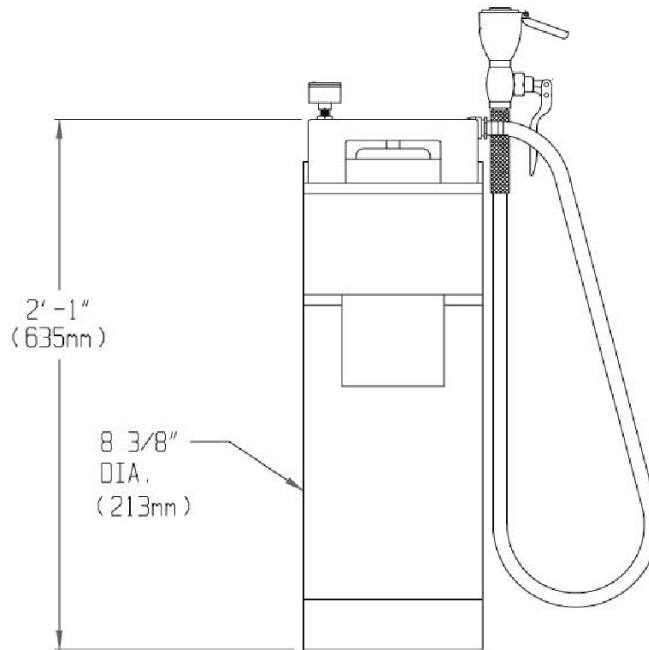


Management Systems
Registered to ISO 9001

SPEAKMAN®

Pressurized Portable Eyewash SE-597

SPECIFICATION



NOTE: 1. All dimensions are in inches (millimeters) unless otherwise specified and are subject to change without notice.

THIS SPACE FOR ARCHITECT/ENGINEER APPROVAL.

SPEAKMAN®

400 ANCHOR MILL ROAD | NEW CASTLE, DE 19720
P: 800-537-2107 | F: 800-977-2747
WWW.SPEAKMANCOMPANY.COM



Management Systems
Registered to ISO 9001

REVISION DATE: JULY 2014