



### FEATURES:

- Stainless steel bowl
- (2) aerated yellow plastic spray outlets and dust caps
- ½ in. NPT female brass, chrome-plated valve
- Stainless steel push handle activator
- ½ in. NPT female inlet
- 1 ¼ in. IPS galvanized steel pipe
- Galvanized steel cast floor flange with 1 ½ in. diameter mounting holes on 9 in. diameter bolt circle, spaced 120° apart.
- 1 ¼ in. NPT female waste
- 3.18 gpm @ 30 psi
- Universal emergency sign included

### COMPLIANCE:

- Certified to ANSI/ISEA Z358.1

### FINISHES:

- DuraJade™ (standard)

### OPTIONS:

ADD SUFFIX TO MODEL #

- |   |                                 |
|---|---------------------------------|
| • Stainless steel cover                   | <input type="checkbox"/> -CV    |
| • Freeze protection valve                 | <input type="checkbox"/> -FPV   |
| • Hand/foot operation                     | <input type="checkbox"/> -HFO   |
| • SE-920 hand held drench hose            | <input type="checkbox"/> HS     |
| • In-line strainer for 1/2 in. IPS piping | <input type="checkbox"/> -ILS   |
| • P-Trap                                  | <input type="checkbox"/> -PT    |
| • Scald protection valve                  | <input type="checkbox"/> -SPV   |
| • ½ in. stainless steel ball valve        | <input type="checkbox"/> -SSBV2 |

### WARRANTY:

- 3 year limited

SEE REVERSE FOR ROUGH-IN DIMENSIONS

THIS SPACE FOR ARCHITECT/ENGINEER APPROVAL.

# SPEAKMAN®

400 ANCHOR MILL ROAD | NEW CASTLE, DE 19720  
P: 800-537-2107 | F: 800-977-2747  
WWW.SPEAKMANCOMPANY.COM

REVISION DATE: SEPTEMBER 2014

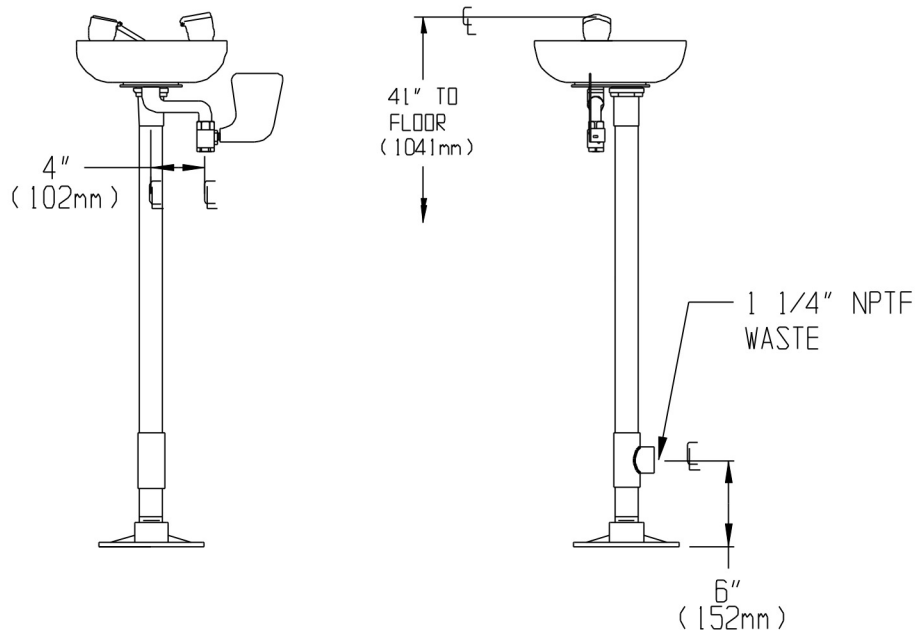


Management Systems  
Registered to ISO 9001

# SPEAKMAN®

## Pedestal Mounted Round Eye/Face Wash Bowl SE-584

SPECIFICATION



NOTE: 1. All dimensions are in inches (millimeters) unless otherwise specified and are subject to change without notice.

THIS SPACE FOR ARCHITECT/ENGINEER APPROVAL.

# SPEAKMAN®

400 ANCHOR MILL ROAD | NEW CASTLE, DE 19720  
P: 800-537-2107 | F: 800-977-2747  
WWW.SPEAKMANCOMPANY.COM

REVISION DATE: SEPTEMBER 2014



Management Systems  
Registered to ISO 9001