

SPEAKMAN®

Laboratory Wall Mounted Eye/Face Wash

SE-575

SPECIFICATION



FEATURES:

- Wall mounted
- (2) yellow, plastic, soft sprays with flip-top dust caps
- ½ in. NPT female brass, chrome plated valve
- Stainless steel push handle activated
- ½ in. NPT inlet
- 4.5 gpm @ 30 psi
- Universal emergency sign included

COMPLIANCE:

- Certified to ANSI/ISEA Z358.1

WARRANTY:

- 3 year limited

SEE REVERSE FOR ROUGH-IN DIMENSIONS

THIS SPACE FOR ARCHITECT/ENGINEER APPROVAL.

SPEAKMAN®

400 ANCHOR MILL ROAD | NEW CASTLE, DE 19720
P: 800-537-2107 | F: 800-977-2747
WWW.SPEAKMANCOMPANY.COM

REVISION DATE: SEPTEMBER 2014

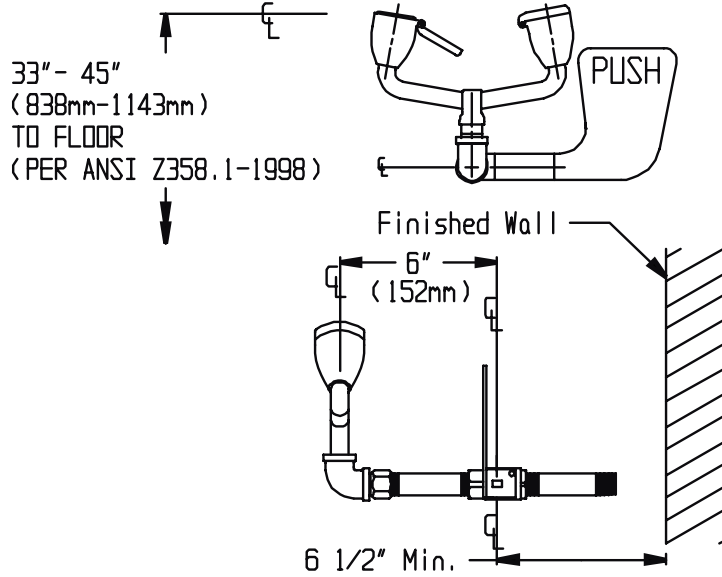


Management Systems
Registered to ISO 9001

SPEAKMAN®

Laboratory Wall Mounted Eye/Face Wash SE-575

SPECIFICATION



NOTE: 1. All dimensions are in inches (millimeters) unless otherwise specified and are subject to change without notice.

THIS SPACE FOR ARCHITECT/ENGINEER APPROVAL.

SPEAKMAN®

400 ANCHOR MILL ROAD | NEW CASTLE, DE 19720
P: 800-537-2107 | F: 800-977-2747
WWW.SPEAKMANCOMPANY.COM



Management Systems
Registered to ISO 9001

REVISION DATE: SEPTEMBER 2014