

SPEAKMAN®

Laboratory Back Deck Mounted Eye/Face Wash

SE-573

SPECIFICATION



FEATURES:

- Back deck sink mounted
- (2) yellow, plastic, soft sprays with flip-top dust caps
- Brass, chrome-plated valve
- Swing activated
- ½ in. NPT female inlet
- 3.9 gpm @ 30 psi
- Universal emergency sign included

COMPLIANCE:

- Certified to ANSI/ISEA Z358.1

OPTIONS:

ADD SUFFIX TO MODEL #

- In-line strainer for ½ in. IPS piping -ILS

WARRANTY:

- 3 year limited

SEE REVERSE FOR ROUGH-IN DIMENSIONS

THIS SPACE FOR ARCHITECT/ENGINEER APPROVAL.

SPEAKMAN®

400 ANCHOR MILL ROAD | NEW CASTLE, DE 19720
P: 800-537-2107 | F: 800-977-2747
WWW.SPEAKMANCOMPANY.COM

REVISION DATE: SEPTEMBER 2014



Management Systems
Registered to ISO 9001

SPEAKMAN®

Laboratory Back Deck Mounted Eye/Face Wash SE-573

SPECIFICATION

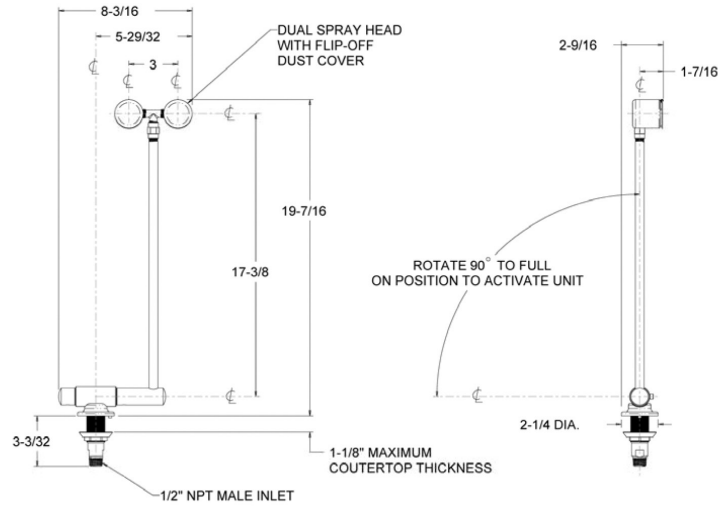


FIGURE #2

NOTE: 1. All dimensions are in inches (millimeters) unless otherwise specified and are subject to change without notice.

THIS SPACE FOR ARCHITECT/ENGINEER APPROVAL.

SPEAKMAN®

400 ANCHOR MILL ROAD | NEW CASTLE, DE 19720
P: 800-537-2107 | F: 800-977-2747
WWW.SPEAKMANCOMPANY.COM

REVISION DATE: SEPTEMBER 2014



Management Systems
Registered to ISO 9001