

SPEAKMAN®

Laboratory Countertop Mounted Eyewash

SE-572

SPECIFICATION



FEATURES:

- Countertop mounted
- (2) yellow, plastic, aerated with flip-top dust caps
- ½ in. NPT female brass, chrome-plated valve
- Stainless steel push handle activation
- ½ in. NPT female inlet
- 3.09 gpm @ 30 psi
- Universal emergency sign included

COMPLIANCE:

- Certified to ANSI/ISEA Z358.1

OPTIONS:

ADD SUFFIX TO MODEL #

- Left hand operation -LH
- In-line strainer for ½ in. IPS piping -ILS

WARRANTY:

- 3 year limited

SEE REVERSE FOR ROUGH-IN DIMENSIONS

THIS SPACE FOR ARCHITECT/ENGINEER APPROVAL.

SPEAKMAN®

400 ANCHOR MILL ROAD | NEW CASTLE, DE 19720
P: 800-537-2107 | F: 800-977-2747
WWW.SPEAKMANCOMPANY.COM

REVISION DATE: SEPTEMBER 2014



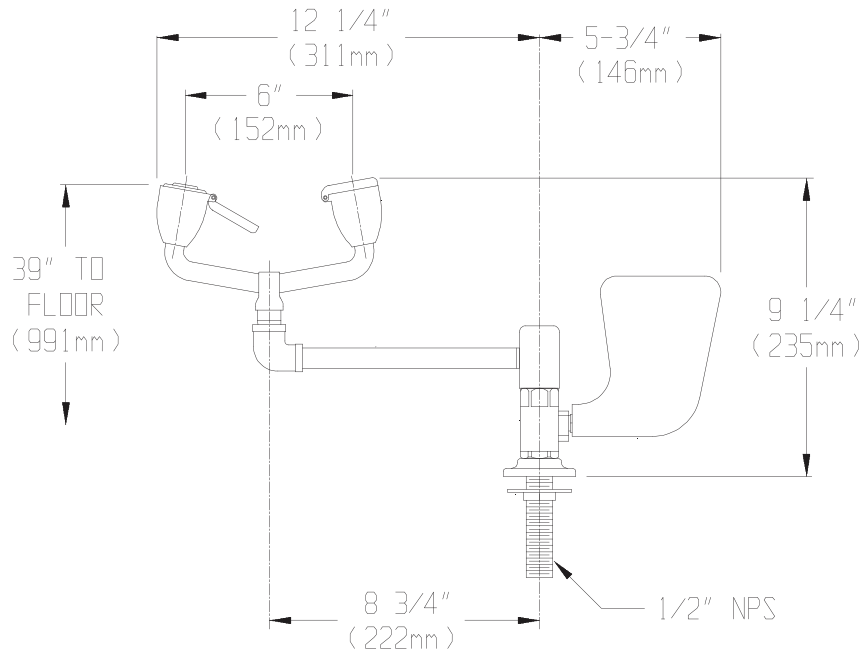
Management Systems
Registered to ISO 9001

617

SPEAKMAN®

Laboratory Tabletop Mounted Eyewash SE-572

SPECIFICATION



NOTE: 1. All dimensions are in inches (millimeters) unless otherwise specified and are subject to change without notice.

THIS SPACE FOR ARCHITECT/ENGINEER APPROVAL.

SPEAKMAN®

400 ANCHOR MILL ROAD | NEW CASTLE, DE 19720
P: 800-537-2107 | F: 800-977-2747
WWW.SPEAKMANCOMPANY.COM



Management Systems
Registered to ISO 9001

REVISION DATE: SEPTEMBER 2014