

# SPEAKMAN®

## Wall Mounted Round Eye/Face Wash Bowl

SE-505

SPECIFICATION



### FEATURES:

- Stainless steel bowl
- (2) yellow plastic aerated spray heads
- ½ in. NPT female brass, chrome plated valve
- Stainless steel trigger bar activator
- ½ in. NPT female inlet
- 3.0 @ 30 psi
- Universal emergency sign included

### COMPLIANCE:

- Certified to ANSI/ISEA Z358.1

### FINISH:

- DuraJade™ (standard)

### OPTIONS:

ADD SUFFIX TO MODEL #

- Freeze protection valve  -FPV
- Hand/foot operation  -HFO
- SE-920 hand held drench hose  -HS
- In-line strainer for ½ in. IPS piping  -ILS
- P-Trap  -PT
- Scald protection valve  -SPV
- ½ in. stainless steel ball valve  -SSBV2

### WARRANTY:

- 3 year limited

SEE REVERSE FOR ROUGH-IN DIMENSIONS

THIS SPACE FOR ARCHITECT/ENGINEER APPROVAL.

# SPEAKMAN®

400 ANCHOR MILL ROAD | NEW CASTLE, DE 19720  
P: 800-537-2107 | F: 800-977-2747  
WWW.SPEAKMANCOMPANY.COM

REVISION DATE: SEPTEMBER 2014

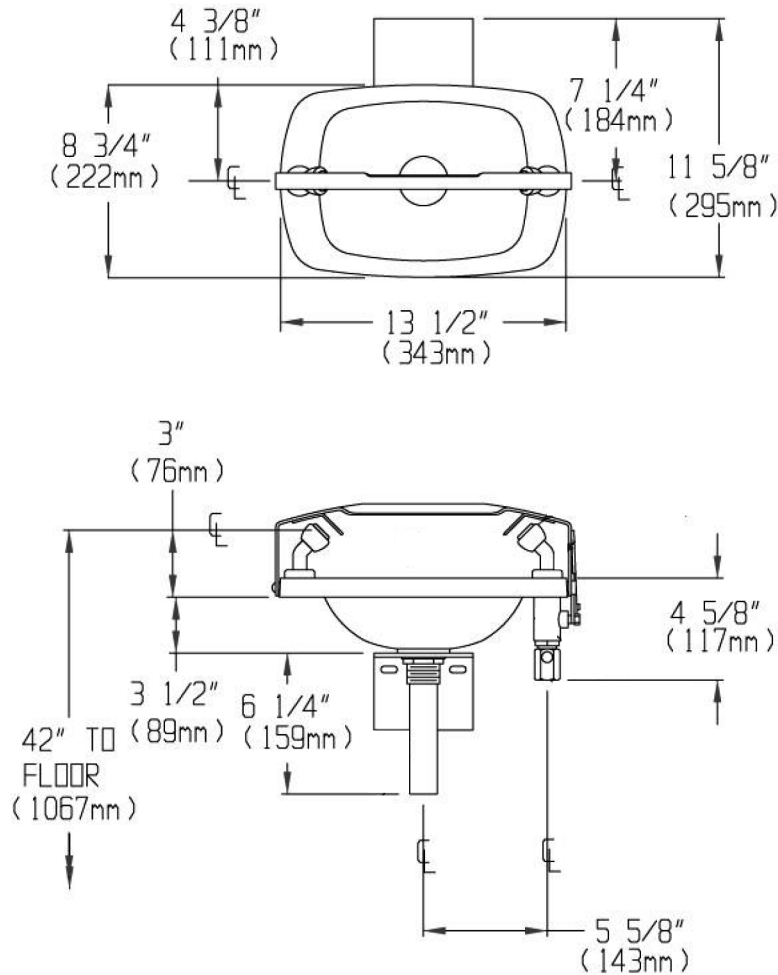
Management Systems  
Registered to ISO 9001

609

# SPEAKMAN®

## Wall Mounted Round Eye/Face Wash Bowl SE-505

SPECIFICATION



NOTE: 1. All dimensions are in inches (millimeters) unless otherwise specified and are subject to change without notice.

THIS SPACE FOR ARCHITECT/ENGINEER APPROVAL.

# SPEAKMAN®

400 ANCHOR MILL ROAD | NEW CASTLE, DE 19720  
P: 800-537-2107 | F: 800-977-2747  
WWW.SPEAKMANCOMPANY.COM

Management Systems  
Registered to ISO 9001

REVISION DATE: SEPTEMBER 2014