

FEATURES:

- (2) yellow plastic spray outlets
- ABS plastic bowl
- ½ in. NPT female brass, chrome-plated valve
- Stainless steel push handle activator
- ½ in. NPT female inlet
- 3.18 gpm @ 30 psi
- Universal emergency sign included

COMPLIANCE:

- Certified to ANSI/ISEA Z358.1

OPTIONS:

ADD SUFFIX TO MODEL #

- | | |
|---|---------------------------------|
| • Freeze protection valve | <input type="checkbox"/> -FPV |
| • Hand/foot operation | <input type="checkbox"/> -HFO |
| • SE-920 hand held drench hose | <input type="checkbox"/> -HS |
| • In-line strainer for ½ in. IPS piping | <input type="checkbox"/> -ILS |
| • P-Trap | <input type="checkbox"/> -PT |
| • Scald protection valve | <input type="checkbox"/> -SPV |
| • ½ in. stainless steel ball valve | <input type="checkbox"/> -SSBV2 |

WARRANTY:

- 3 year limited

SEE REVERSE FOR ROUGH-IN DIMENSIONS

THIS SPACE FOR ARCHITECT/ENGINEER APPROVAL.

SPEAKMAN®

400 ANCHOR MILL ROAD | NEW CASTLE, DE 19720
P: 800-537-2107 | F: 800-977-2747
WWW.SPEAKMANCOMPANY.COM

REVISION DATE: SEPTEMBER 2014

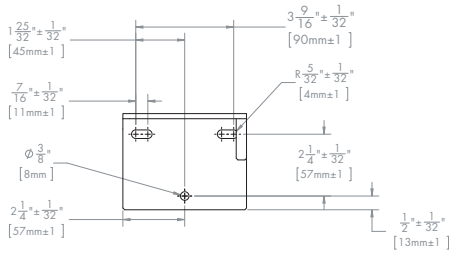
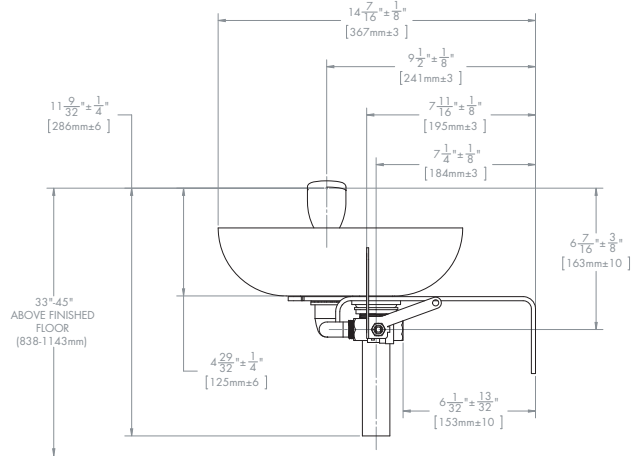
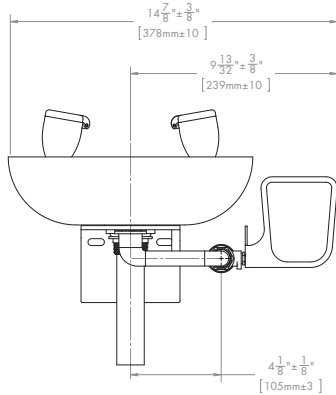


Management Systems
Registered to ISO 9001

SPEAKMAN®

Wall Mounted Round Eye/Face Wash Bowl SE-495

SPECIFICATION



REPAIR PARTS

Part No.	Description
SE-910	Brass 1/2" Ball Valve Assembly
SE-910.SSBV	Stainless Steel 1/2" Ball Valve Assembly
RPG05-1177	Aerator Replacement Group (6 each)
RPG21-0082-PC-P	In-Line Strainer Repair Assembly
RPG05-0715	SE-490 / SE-495 Non-Aerated Eye/Face Wash Bullhorn Assembly
RPG38-0390	SE-490 / SE-495 Non-Aerated Sprayhead Assembly
RPG05-0714	SE-580 / SE-582 Aerated Eye/Face Wash Bullhorn Assembly
RPG38-0379	SE-580 / SE-582 Aerated Sprayhead Assembly
RPG05-0943	Bullhorn Washer Group
RPG07-0104	Flip Top Dust Cap Replacement (20 per bag)

NOTE: 1. All dimensions are in inches (millimeters) unless otherwise specified and are subject to change without notice.

THIS SPACE FOR ARCHITECT/ENGINEER APPROVAL.

SPEAKMAN®

400 ANCHOR MILL ROAD | NEW CASTLE, DE 19720
 P: 800-537-2107 | F: 800-977-2747
 WWW.SPEAKMANCOMPANY.COM

REVISION DATE: SEPTEMBER 2014



Management Systems
 Registered to ISO 9001