



FEATURES:

- (6) brass chrome-plated aerated sprays
- Yellow polypropylene shrouds
- ½ in. NPT female, chrome-plated valve
- Stainless steel push handle activator
- ½ in. NPT female inlet
- Brass, chrome-plated in-line strainer
- Universal emergency sign included

COMPLIANCE:

- Certified to ANSI/ISEA Z358.1

OPTIONS:

ADD SUFFIX TO MODEL #

- | | |
|---|---------------------------------|
| • Freeze protection valve | <input type="checkbox"/> -FPV |
| • Hand/foot operation | <input type="checkbox"/> -HFO |
| • SE-920 hand held drench hose | <input type="checkbox"/> HS |
| • In-line strainer for ½ in. IPS piping | <input type="checkbox"/> -ILS |
| • P-Trap | <input type="checkbox"/> -PT |
| • Scald protection valve | <input type="checkbox"/> -SPV |
| • ½ in. stainless steel ball valve | <input type="checkbox"/> -SSBV2 |

WARRANTY:

- 3 year limited

SEE REVERSE FOR ROUGH-IN DIMENSIONS

THIS SPACE FOR ARCHITECT/ENGINEER APPROVAL.

SPEAKMAN®

400 ANCHOR MILL ROAD | NEW CASTLE, DE 19720
P: 800-537-2107 | F: 800-977-2747
WWW.SPEAKMANCOMPANY.COM

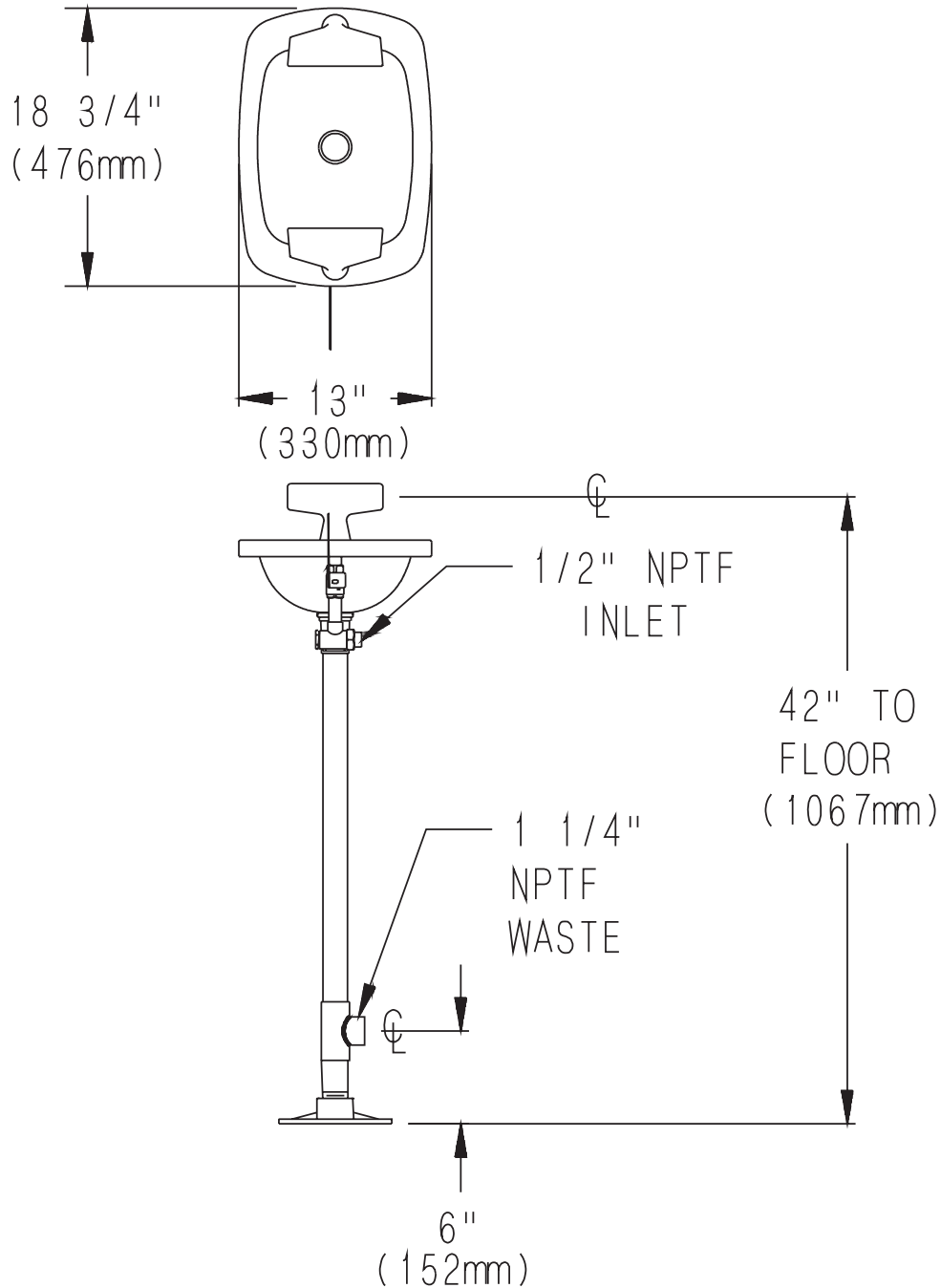
REVISION DATE: SEPTEMBER 2014

Management Systems
Registered to ISO 9001

SPEAKMAN®

Pedestal Mounted Rectangular Eye/Face Wash Bowl SE-420

SPECIFICATION



NOTE: 1. All dimensions are in inches (millimeters) unless otherwise specified and are subject to change without notice.

THIS SPACE FOR ARCHITECT/ENGINEER APPROVAL.

SPEAKMAN®

400 ANCHOR MILL ROAD | NEW CASTLE, DE 19720
P: 800-537-2107 | F: 800-977-2747
WWW.SPEAKMANCOMPANY.COM

Management Systems
Registered to ISO 9001

REVISION DATE: SEPTEMBER 2014