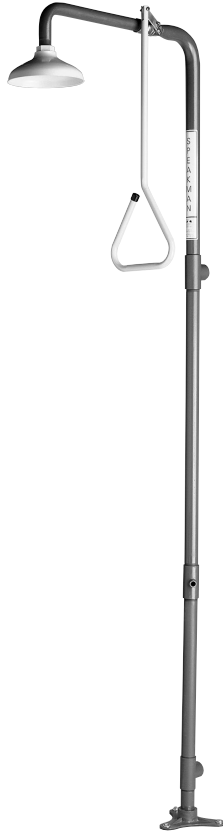


SPEAKMAN®

Lifesaver® Emergency Shower

SE-253
SE-253-SS

SPECIFICATION



MODELS:

- SE-253: Emergency Shower
- SE-253-SS: Emergency Shower with all stainless steel components

FEATURES:

- 8 in. yellow plastic showerhead (SE-253)
- 8 in. stainless steel showerhead (SE-253-SS)
- Internal 20 gpm regulator flow control
- 1 in. NPT female brass, chrome-plated, stay-open valve
- Powder coated yellow, aluminum triangular pull rod activator
- 1 in. NPT female inlet
- 20 gpm @ 30 psi
- Free standing unit
- Universal Emergency Sign Included

FINISHES:

- DuraJade™ (standard)

OPTIONS:

ADD SUFFIX TO MODEL #

- Anti-freeze protection valve -FPV
- Self-closing shower valve with chain & ring -SCSV
- Anti-scald protection valve -SPV
- 1 in. IPS stainless steel ball valve -SSBV1
- Stainless steel showerhead -SSH

WARRANTY:

- 3 year limited

SEE REVERSE FOR ROUGH-IN DIMENSIONS

THIS SPACE FOR ARCHITECT/ENGINEER APPROVAL.

SPEAKMAN®

400 ANCHOR MILL ROAD | NEW CASTLE, DE 19720
P: 800-537-2107 | F: 800-977-2747
WWW.SPEAKMANCOMPANY.COM

REVISION DATE: JANUARY 2014

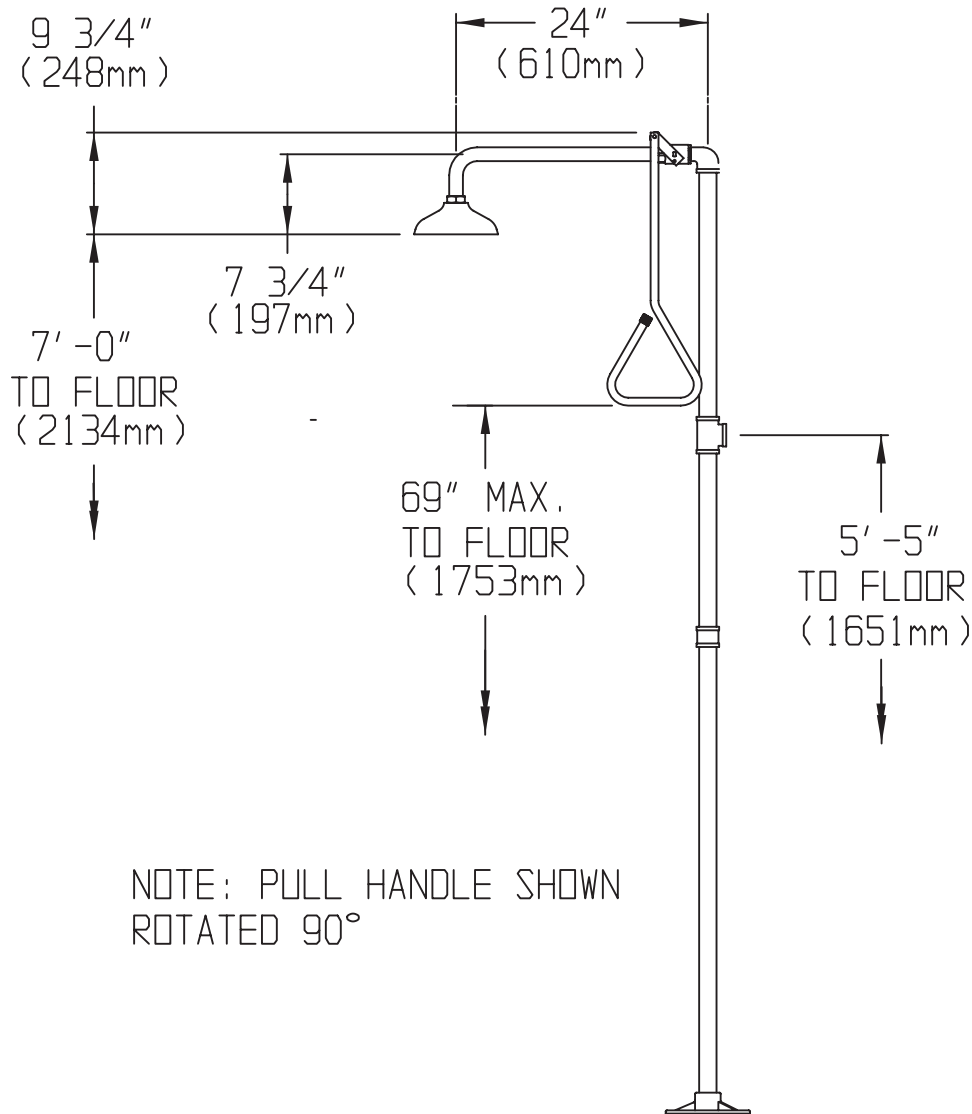
Management Systems
Registered to ISO 9001

693

SPEAKMAN®

Lifesaver® Emergency Shower SE-253, SE-253-SS

SPECIFICATION



NOTE: PULL HANDLE SHOWN ROTATED 90°

NOTE: 1. All dimensions are in inches (millimeters) unless otherwise specified and are subject to change without notice.

THIS SPACE FOR ARCHITECT/ENGINEER APPROVAL.

SPEAKMAN®

400 ANCHOR MILL ROAD | NEW CASTLE, DE 19720
P: 800-537-2107 | F: 800-977-2747
WWW.SPEAKMANCOMPANY.COM

Management Systems
Registered to ISO 9001

REVISION DATE: JANUARY 2014