

# SPEAKMAN®

Lifesaver® Emergency Shower

SE-227  
SE-227-SS

SPECIFICATION



## MODELS:

- SE-227: Emergency Shower
- SE-227-SS: Emergency Shower with all stainless steel components

## FEATURES:

- 8 in. yellow plastic showerhead (SE-227)
- 8 in. stainless steel showerhead (SE-227-SS)
- Horizontal supply
- Internal 20 gpm regulator flow control
- 1 in. NPT female brass, chrome-plated, stay-open valve
- 1 in. NPT female stainless steel, chrome-plated, stay-open valve
- Powder coated yellow, aluminum triangular pull rod activator
- 1 in. NPT female inlet
- 20 gpm @ 30 psi
- Universal Emergency Sign Included

## FINISHES:

- DuraJade™ (SE-227)
- Stainless steel (SE-227-SS)

## OPTIONS:

ADD SUFFIX TO MODEL #

- Anti-freeze protection valve  -FPV
- Self-closing shower valve with chain & ring  -SCSV
- Anti-scald protection valve  -SPV
- 1 in. IPS stainless steel ball valve  -SSBV1
- Stainless steel showerhead  -SSH

## WARRANTY:

- 3 year limited

SEE REVERSE FOR ROUGH-IN DIMENSIONS

THIS SPACE FOR ARCHITECT/ENGINEER APPROVAL.

# SPEAKMAN®

400 ANCHOR MILL ROAD | NEW CASTLE, DE 19720  
P: 800-537-2107 | F: 800-977-2747  
WWW.SPEAKMANCOMPANY.COM

REVISION DATE: JANUARY 2014

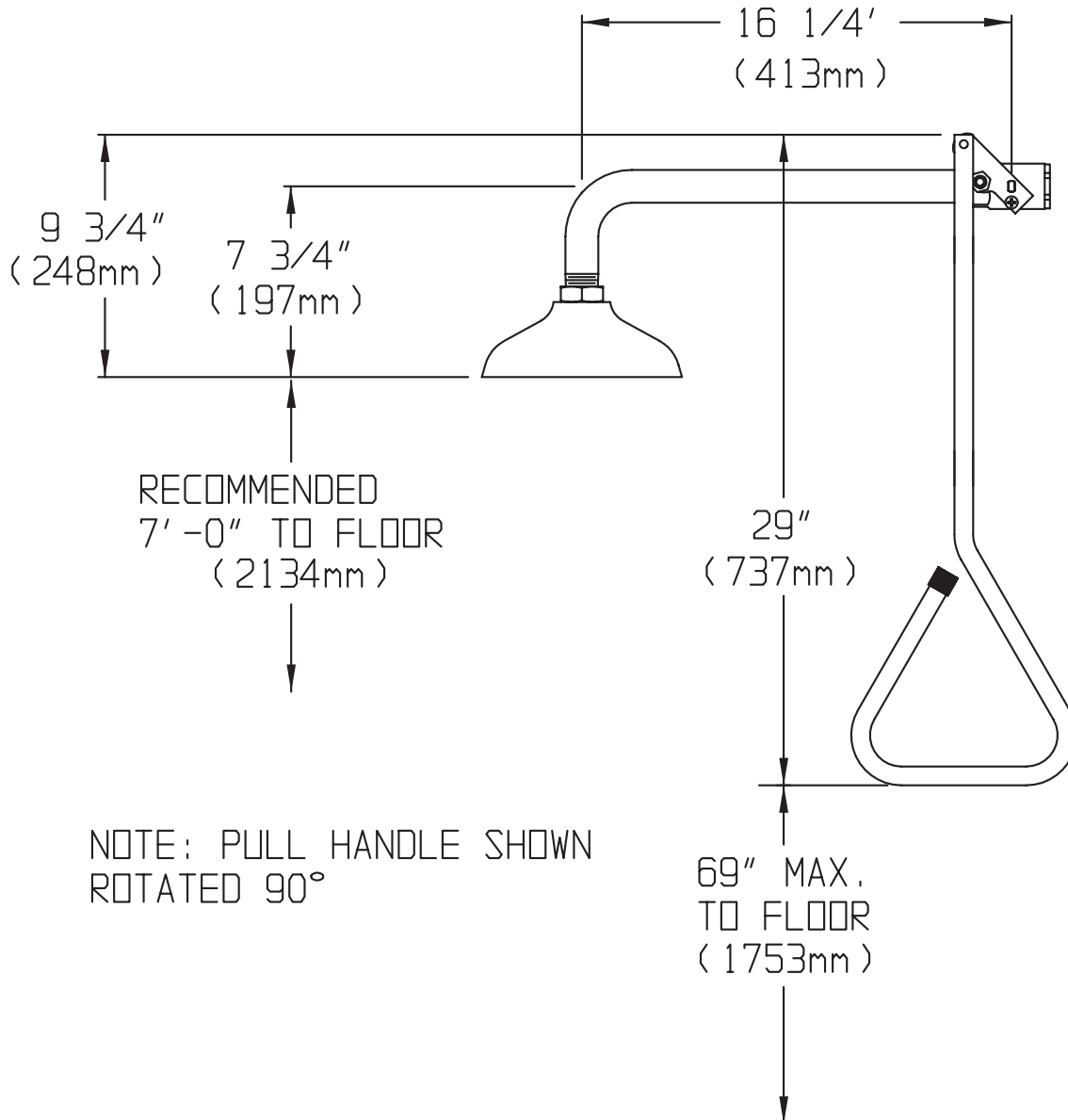
Management Systems  
Registered to ISO 9001

685

# SPEAKMAN®

## Lifesaver® Emergency Shower SE-227, SE-227-SS

SPECIFICATION



NOTE: 1. All dimensions are in inches (millimeters) unless otherwise specified and are subject to change without notice.

THIS SPACE FOR ARCHITECT/ENGINEER APPROVAL.

# SPEAKMAN®

400 ANCHOR MILL ROAD | NEW CASTLE, DE 19720  
P: 800-537-2107 | F: 800-977-2747  
WWW.SPEAKMANCOMPANY.COM

Management Systems  
Registered to ISO 9001

REVISION DATE: JANUARY 2014