

EYEWASH FEATURES

- Independent eye wash & face wash integrated into one, multi-functioning safety unit.
- Aerated sprays for eyewash comfort & innovative face pads for full face cleansing
- Flip top dust caps
- Stainless Steel bowl
- ½ in. NPT female brass, chrome-plated, full flow stay-open ball valve
- Stainless steel push handle activator
- ½ in. NPT female inlet
- 4.9 gpm @ 30 psi

SHOWER FEATURES

- 8 in. yellow plastic showerhead
- Internal 20 gpm restrictor flow control
- 1 in. NPT female brass, chrome-plated, full flow stay-open ball valve
- Powder coated yellow, aluminum triangular pull rod activator & optimal ADA extension
- 1 ¼ in. IPS galvanized steel piping stanchion & fittings
- 1 ¼ in. NPTF top or side supply
- 1 ¼ in. NPT female waste
- High visibility pull rod activates stay-open shower valve & provides hands-free operation
- DuraJade™ powder coated finish on stanchion for durability & enhanced corrosion resistance
- Elevated drain to support easier testing and to eliminate trip hazards
- Includes all components necessary to be installed in either standard height or ADA configuration
- 20 gpm @ 30 psi
- Patent Pending
- Universal Emergency Sign Included

COMPLIANCE:

- ANSI/ISEA Z358.1
- Wheelchair accessible when installed accordingly



OPTIONS:

ADD SUFFIX TO MODEL #

- Anti-freeze protection valve -FPV
- Hand & foot operation -HFO
- Hand-held spray -HS
- In-line strainer -ILS
- Full bowl cover -OCV
- P-trap -PT
- Scald protection valve -SPV

WARRANTY:

- 3 year limited

SEE REVERSE FOR ROUGH-IN DIMENSIONS

THIS SPACE FOR ARCHITECT/ENGINEER APPROVAL.

SPEAKMAN®

400 ANCHOR MILL ROAD | NEW CASTLE, DE 19720
P: 800-537-2107 | F: 800-977-2747
WWW.SPEAKMANCOMPANY.COM

REVISION DATE: OCTOBER 2014



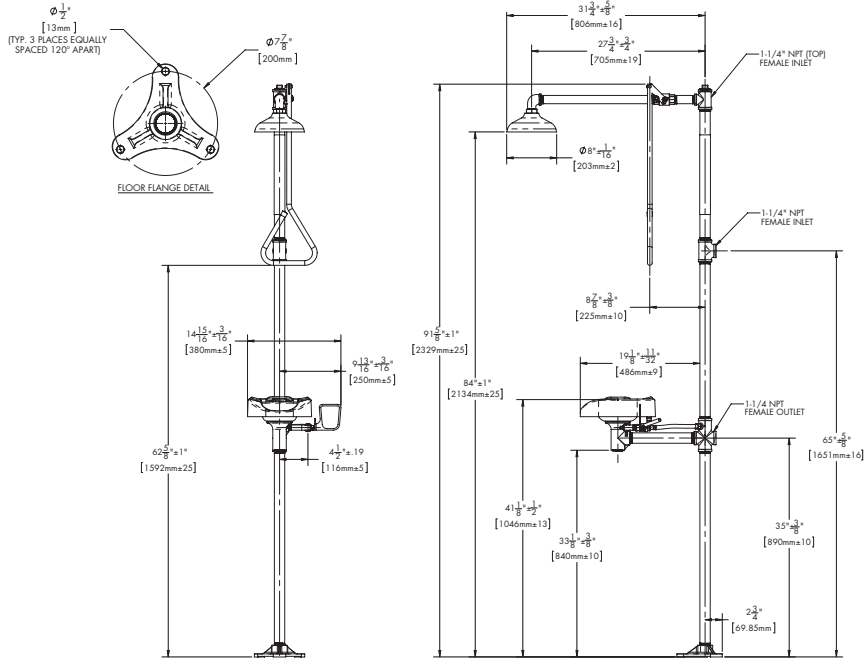
Management Systems
Registered to ISO 9001

SPEAKMAN®

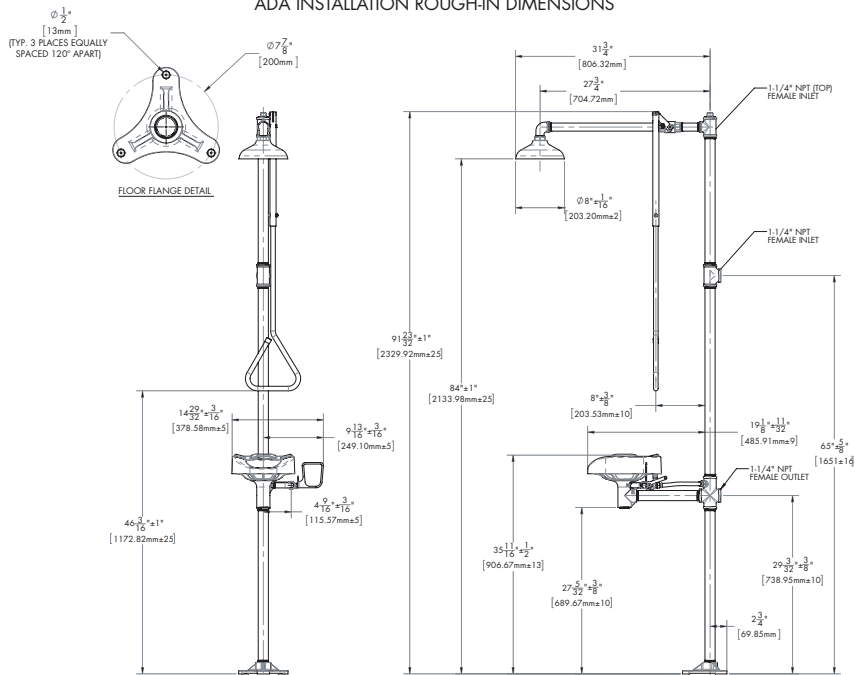
Optimus™ Combination Shower and Eye And Face Wash System SE-1250

SPECIFICATION

STANDARD INSTALLATION ROUGH-IN DIMENSIONS



ADA INSTALLATION ROUGH-IN DIMENSIONS



NOTE: 1. All dimensions are in inches (millimeters) unless otherwise specified and are subject to change without notice.

THIS SPACE FOR ARCHITECT/ENGINEER APPROVAL.

SPEAKMAN®

400 ANCHOR MILL ROAD | NEW CASTLE, DE 19720
P: 800-537-2107 | F: 800-977-2747
WWW.SPEAKMANCOMPANY.COM

REVISION DATE: OCTOBER 2014



Management Systems
Registered to ISO 9001