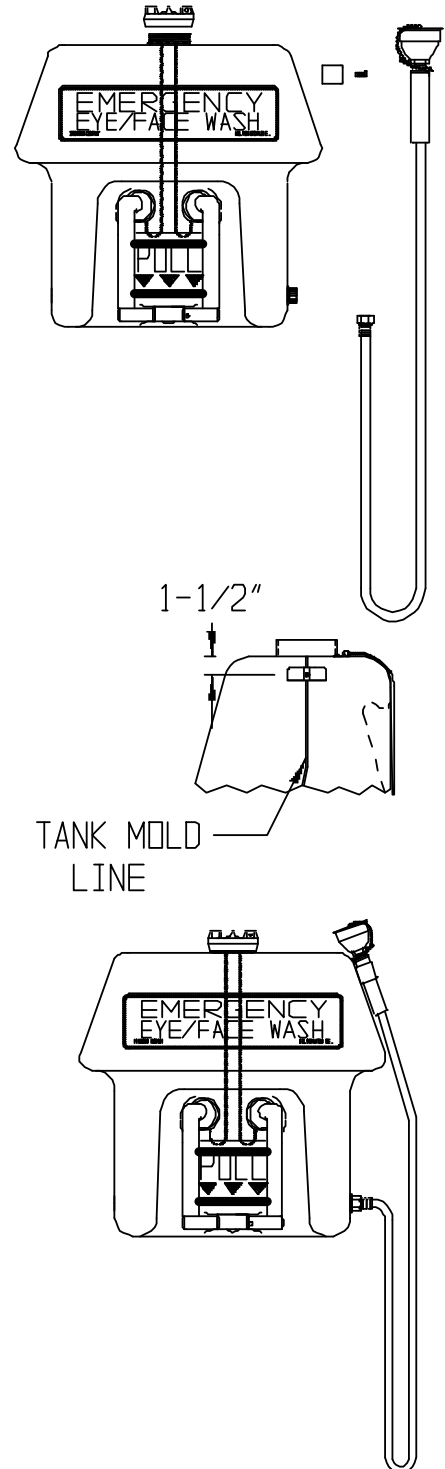


SPEAKMAN COMPANY

SE-4920 Installation Instructions for The Portable Gravityflo™ Eye/Face Wash Drench Hose

Installation Instructions:

1. Caution: The tank must be completely empty before installing the SE-4920 drench hose assembly.
2. Position the hose clip with the self-tapping screw 1-1/2" down from the top of the tank & center it on the mold line on the side of the tank. The hose assembly can be positioned on either the right or left side of the tank depending on customer preference.
3. Place the self-tapping screw through the hose clip and secure it into the tank assembly until flush against the tank.
4. Remove the drain plug and washer from the same side of the tank.
5. Using Teflon tape on thread. Attach drench hose to 3/4" FGHT thread on the eyewash tank.
6. Fill the tank a quarter of the way with the appropriate water & saline solution. Test the drench hose assembly and verify that there are no leaks near the elbow attachment.
7. Hook the hose into the hose clip. Fill the tank assembly up the rest of the way to the fill line with the appropriate water & saline solution.
8. Complete the maintenance tag and place it in the SE-4000 bag assembly.



SPEAKMAN®
PO Box 191 Wilmington, DE 19899 Phone: 800-537-2107 Fax: 800-977-2747
Visit us on the web at www.speakmancompany.com