

SPEAKMAN®

SE-491 Installation, Maintenance & Operation Instructions EYESAVER® EYE/FACE WASH

DESCRIPTION

Pedestal mounted emergency eye/face wash. Supplied with stainless steel bowl, stay-open full flow ball valve; activated by stainless steel push handle; twin spray heads with individual flow restrictors, and flip-off dust covers.

SPECIFICATIONS

BOWL: 300 Series Stainless Steel.

SPRAY HEADS: (2) Yellow ABS Plastic Spray Outlet, Sprayface, and Dust Cover.

VALVE: 1/2" NPT Female Brass, Chrome-Plated.

ACTIVATOR: Stainless Steel Push Handle.

INLET: 1/2" NPT Female.

PIPE: 1-1/4" IPS Galvanized Steel.

FLOOR FLANGE: Brass Casting with (3) 17/32" Dia. Mounting Holes on 9" Dia. Bolt Circle, Spaced 120° Apart.

WASTE: 1-1/4" NPT Female.

FINISH: Safety Green Powder Coating

SHIPPING WEIGHT: 25 lb.

EMERGENCY SIGN: 7-7/8" x 7-7/8" Plastic Wall Sign.

OPTIONS

• AL1 (Air Horn Alarm)	• HS (Hand-held Spray)
• AL2 (Electrical Alarm)	• FPV (Anti-Freeze Protection Valve)
• AL3 (Electrical Alarm)	• PT (1 1/4" P-Trap)
• AL2-C1D2 (Electrical Alarm / Haz. Area)	• SPV (Anti-Scald Protection Valve)
• AL3-C1D2 (Electrical Alarm / Haz. Area)	• SSBV2 (1/2" Stainless Steel Valve)
• FLW (Flow Switch)	• VPL (Vapor Proof Light)
• ILS (Inline Strainer)	• HFO (Hand/Foot Operation)

INSTALLATION

Review drawing (as shown on other side) to assure proper location of inlet and drain. Mount stanchion to floor using suitable anchors. Rest the eye/face wash bowl on the rubber washer and drain spud making sure to get the bowl level as possible, to insure a proper flow pattern, and to avoid unnecessary water spillage. Once bowl is positioned correctly on spud, apply plumbers putty to drain strainer and tighten with hex tool (supplied). Connect a water supply to the unit (use pipe sealant on all joints) that is a 1/2" minimum uninterrupted source of potable water. Failure to use potable water can result in emergency units producing impure or contaminated water causing possible further injury. The drain tailpiece or waste should be connected to an adequate drain in compliance with local plumbing codes.

OPERATION

The eye/face wash is activated by pushing the push handle back 90°. The unit will continue to operate until the push handle is manually pulled back to the off position.

TESTING PROGRAM

The American National Standards Institute (ANSI) states that all safety emergency equipment shall be activated on a weekly basis to flush the line and verify proper operation. Speakman Company furnishes a testing record tag (91-0635) with each unit. On this tag the date of inspection and the inspectors initials should be noted.

SPEAKMAN®

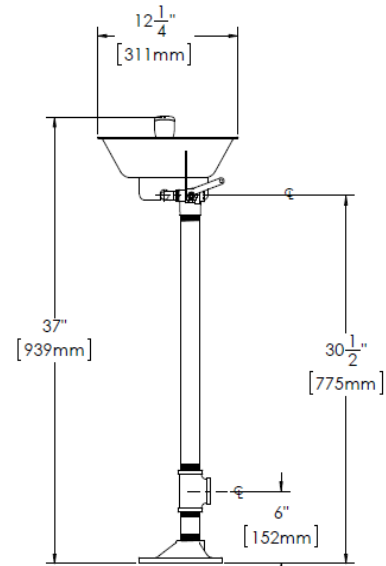
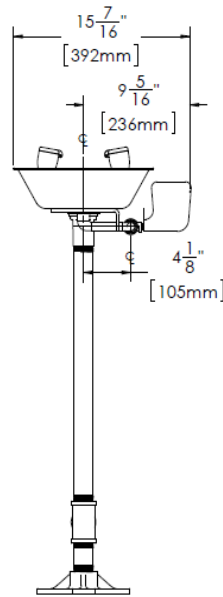
400 Anchor Mill Rd. New Castle, DE 19720 Phone: 800-537-2107
4/13/15 Visit us on the web at www.speakman.com

Fax: 800-977-2747
92-SE-491-R6

MAINTENANCE

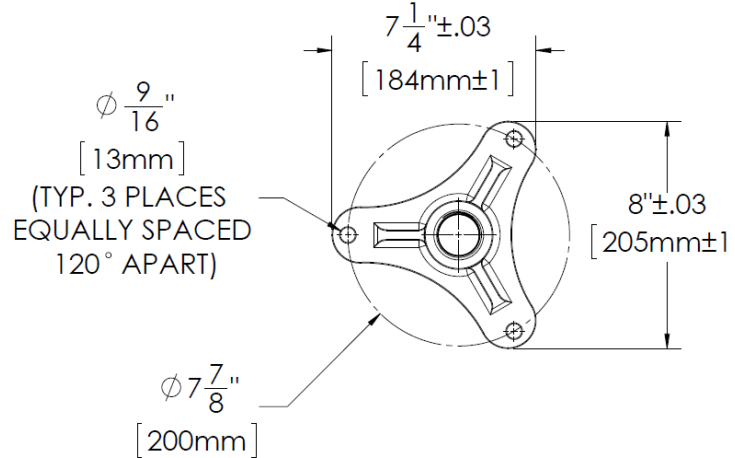
Should you need parts to repair this unit, please reference the parts list below for correct part numbers. Before any maintenance is done be sure to shut the water supply off.

WARNING: Use only genuine Speakman parts when repairing or replacing components. To order parts call 1-800-537-2107.



REPLACEMENT/REPAIR PARTS

ITEM	PART/GROUP	DESCRIPTION
1	RPG74-31321	Pedestal Stanchion Group
2	G68-0090	Non-Aerated Bowl Group
3	SE-910	Brass 1/2" Ball Valve Assembly with Paddle Handle
4	SE-910-SSBV	Stainless Steel 1/2" Valve Ball Valve Assembly with Paddle Handle
5	RPG21-0082-PC-P	In-line Strainer Repair Assembly
6	RPG05-0715	Non-Aerated Eye/Face Wash Bullhorn Assembly
7	RPG38-0390	Non-Aerated Sprayhead Assembly
8	RPG05-0943	Bullhorn Washer Group
9	RPG07-0104	Flip Top Dust Cap Replacement (20 per bag)



FLOOR FLANGE DETAIL

FLOW DATA EYE/FACE WASH:

FLOW PRESSURE PSI (BAR)	30 (2.07)
FLOW RATE GPM (LPM)	4.5 (17)

NOTE: This unit should be connected to an uninterrupted source of potable water, with a minimum flowing pressure of 30 PSI and a maximum static pressure of 80 PSI.

Note: All units meet existing ANSI Z358.1 Standards and OSHA Rules. Product improvements may cause specification and dimensional changes without notice.

SPEAKMAN®

400 Anchor Mill Rd. New Castle, DE 19720 Phone: 800-537-2107
4/13/15 Visit us on the web at www.speakman.com

Fax: 800-977-2747
92-SE-491-R6