

SPEAKMAN COMPANY

SE-950 Installation, Maintenance & Operation Instructions

SHOWER & EYEWASH TESTER

DESCRIPTION

Shower tester is complete with 5 gallon bucket & lid, shower tester, and eyewash tester. The shower & eyewash tester is designed to allow the testing of emergency safety showers & eyewashes.

SPECIFICATIONS

MATERIAL: Test Bucket & Lid: 5 Gallon White Plastic.
Funnel Sleeve: White Vinyl.
Attachment Ring: Steel.
Handle: PVC.
Eyewash tester: Clear Plastic.

SHIPPING WEIGHT: 5.00 lbs.

ASSEMBLY INSTRUCTIONS (Shower Tester)

1. Remove extension rod assembly from plastic bag and connect the (3) rod sections.
2. Remove sleeve from package and unfold. Note hook and loop closure strips on wide end of sleeve.
3. Attach wide end of sleeve to circular metal bracket on rod assembly using the hook and loop closure strips to secure.

OPERATION

SHOWER TESTER:

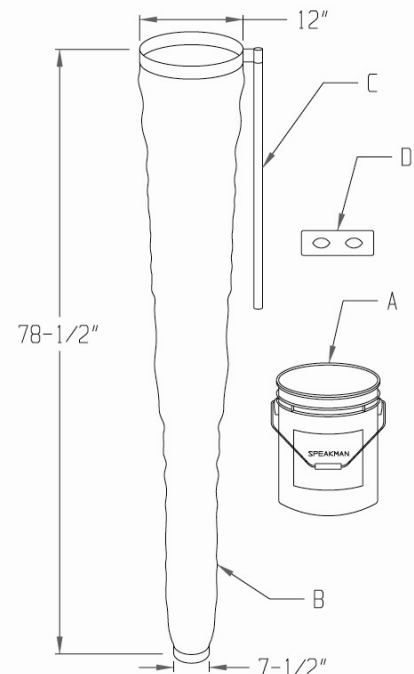
Hold large opening of funnel sleeve under shower head and place small opening into shower test bucket. Operate shower as needed for test. Empty test bucket after test, and air dry funnel sleeve after use.

EYEWASH TESTER:

Place eyewash tester in spray pattern of eyewash and follow instructions on eyewash tester to verify compliance with ANSI specification.

SE-950 PARTS LISTING

<u>ITEM</u>	<u>PART/GROUP #</u>	<u>DESCRIPTION</u>
A	N/A	5 Gallon Bucket & Lid
B	N/A	Funnel Sleeve
C	N/A	PVC Handle Assembly
D	SE-952	Eyewash Tester



SPEAKMAN®