

SPEAKMAN COMPANY

SE-584 Installation, Maintenance & Operation Instructions

EYESAVER® EYEWASH

DESCRIPTION

Pedestal mounted emergency eyewash. Supplied with stainless steel bowl, stay-open full flow ball valve; activated by stainless steel push handle, twin spray heads with individual flow restrictors, and flip-off dust covers.

SPECIFICATIONS

- BOWL: 300 Series Stainless Steel.
- SPRAY HEADS: (2) Aerated Yellow ABS Plastic Spray Outlet, Sprayface, and Dust Cover.
- VALVE: 1/2" NPT Female Brass, Chrome-Plated.
- ACTIVATOR: Stainless Steel Push Handle.
- INLET: 1/2" NPT Female.
- PIPE: 1-1/4" IPS Galvanized Steel.
- FLOOR FLANGE: Brass Casting with (3) 17/32" Dia. Mounting Holes on 9" Dia. Bolt Circle, Spaced 120° Apart.
- WASTE: 1-1/4" NPT Female.
- FINISH: Safety Green Powder Coating.
- SHIPPING WEIGHT: 21 lb.
- EMERGENCY SIGN: 7-7/8" x 7-7/8" Plastic Wall Sign.

OPTIONS

◇ AL1 (Air Horn Alarm)	◇ HS (Hand-held Spray)	◇ ILS (In-Line Strainer)
◇ AL2 (Electrical Alarm)	◇ SSBV2 (1/2" Stainless Steel Valve)	◇
◇ AL3 (Electrical Alarm)	◇ VPL (Vapor Proof Light)	◇
◇ AL2-C1D2 (Electrical Alarm / Haz. Area)	◇ SGN4 (Eye Wash Floor Sign)	◇
◇ AL3-C1D2 (Electrical Alarm / Haz. Area)	◇ FPV (Anti-Freeze Protection Valve)	◇
◇ FLW (Flow Switch)	◇ SPV (Anti-Scald Protection Valve)	◇

INSTALLATION

Review drawing (as shown on other side) to assure proper location of inlet and drain. Mount stanchion to floor using suitable anchors. Rest the eye/face wash bowl on the rubber washer and drain spud making sure to get the bowl level as possible, to ensure a proper flow pattern, and to avoid unnecessary water spillage. Once bowl is positioned correctly on spud, apply plumbers putty to drain strainer and tighten with hex tool (supplied). Connect a water supply to the unit (use pipe sealant on all joints) that is 1/2" minimum uninterrupted source of potable water. Failure to use potable water can result in emergency units producing impure or contaminated water causing possible further injury. The drain tailpiece or waste should be connected to an adequate drain in compliance with local plumbing codes.

OPERATION

The eyewash is activated by pushing the push handle back 90°. The unit will operate until the push handle is manually pulled back up to the off position.

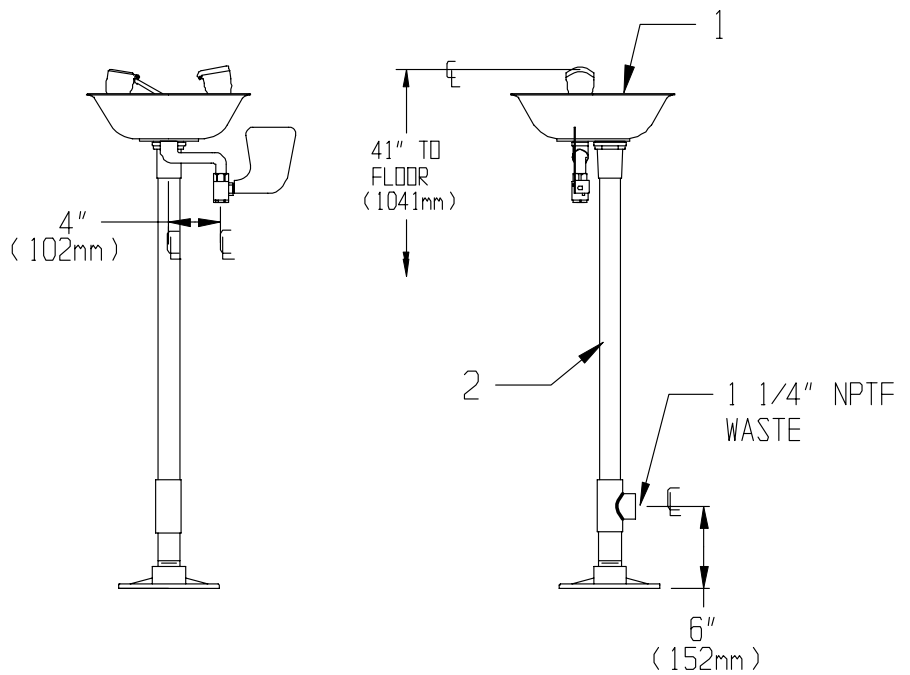
TESTING PROGRAM

The American National Standards Institute (ANSI) states that all safety emergency equipment shall be activated on a weekly basis to flush the line and verify proper operation. Speakman Company furnishes a testing record tag (91-0635) with each unit. On this tag the date of inspection and the inspectors initials should be noted.

MAINTENANCE

The valve and the eyewash are the only portions of the unit that may require maintenance. Should you need parts to repair this unit, please reference the parts listing below for correct part numbers. Reference additional technical sheet (supplied) for information on the SE-582 eyewash. Before any maintenance is done **be sure to shut the water supply off.**

WARNING: Use only genuine Speakman parts when repairing or replacing components. To order parts call 1-800-537-2107.



SE-584 REPLACEMENT/REPAIR PARTS

<u>ITEM</u>	<u>PART/GROUP #</u>	<u>DESCRIPTION</u>
1	SE-582	Eyewash
2	G74-0018-PNT	Stanchion Assy.

FLOW DATA

EYEWASH:

FLOW PRESSURE PSI (BAR)	30 (2.07)
FLOW RATE GPM (LPM)	3.6 (15)

NOTE: This unit should be connected to an uninterrupted source of potable water, with a minimum flowing pressure of 30 PSI and a maximum static pressure of 125 PSI.

Note: All units meet existing ANSI Z358.1 Standards and OSHA Rules. Product improvements may cause specification and dimensional changes without notice.

SPEAKMAN®

PO Box 191 Wilmington, DE 19899 Phone: 800-537-2107 Fax: 800-977-2747
 Visit us on the web at www.speakmancompany.com