

SPEAKMAN COMPANY

SE-573 Installation, Maintenance & Operation Instructions

EYESAVER® EYE/FACE WASH

DESCRIPTION

Back deck sink mounted emergency eye/face wash. Unit supplied with plastic spray heads, with individual flow restrictors, and dust covers. Unit activated by pulling eye/face wash downward, over the sink, to open position. And is shutoff by pushing the eye/face wash upward to the vertical off position.

SPECIFICATIONS

SPRAY HEADS & Dust Covers: (2) ABS Plastic Non-Aerated.
 VALVE: Brass, Chrome-Plated.
 INLET: 1/2" NPT Male.
 SHIPPING WEIGHT: 6 lb.

OPTIONS & ACCESSORIES

◇ AL3 (Electrical Alarm)	◇ AL3-C1D2 (Elect. Alarm / Haz. Area)	◇ FLW-DPDT (DPDT Flow Switch)
◇ AL2-C1D2 (Electrical Alarm / Haz. Area)	◇ FLW (Flow Switch)	◇ ILS (In-Line Strainer)

INSTALLATION

Review configuration of unit as shown in rough in view figure #2 to understand proper configuration before installing this unit. Once desired location is known, measure to layout 7/32" & 1-1/4" diameter holes as shown in rough in view figure #1. Making sure centerlines of holes are square & perpendicular to sink, drill holes through sink, countertop, etc. (1-1/8" maximum thickness). With the deck flange oriented correctly, insert the threaded shank of the eye/face wash through the holes, making sure to line up the stop on the bottom of flange with the 7/32" diameter hole. Assemble cup washer & nut on shank beneath the counter and tighten snugly. Connect a water supply to the unit that is a minimum 1/2" uninterrupted source of potable water. Failure to use potable water can result in emergency units producing impure or contaminated water causing possible further injury.

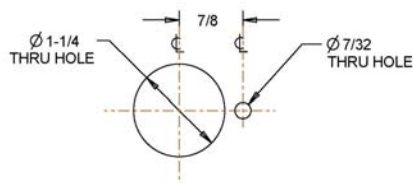


FIGURE 1 (Top View)

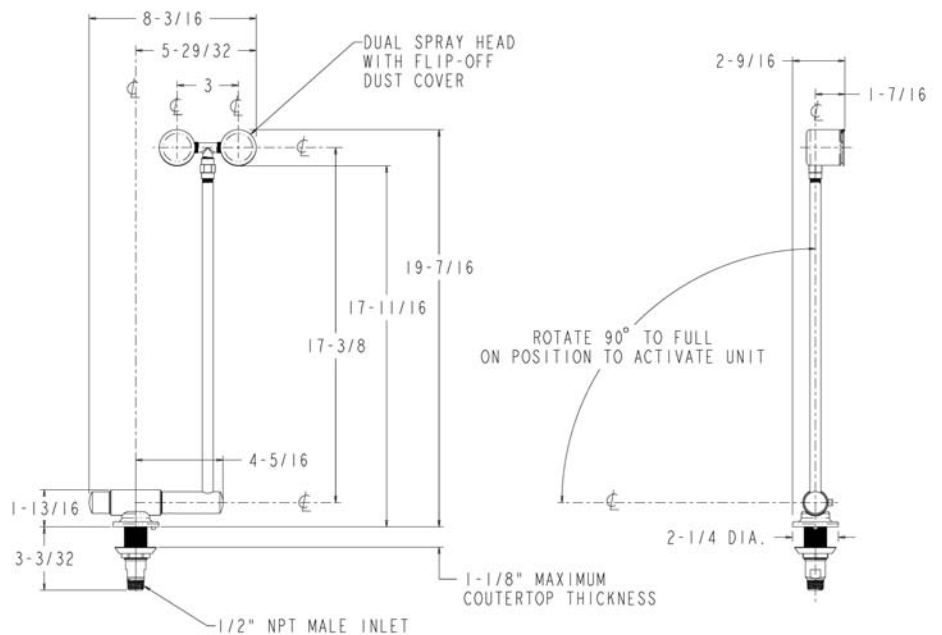


FIGURE #2

OPERATION

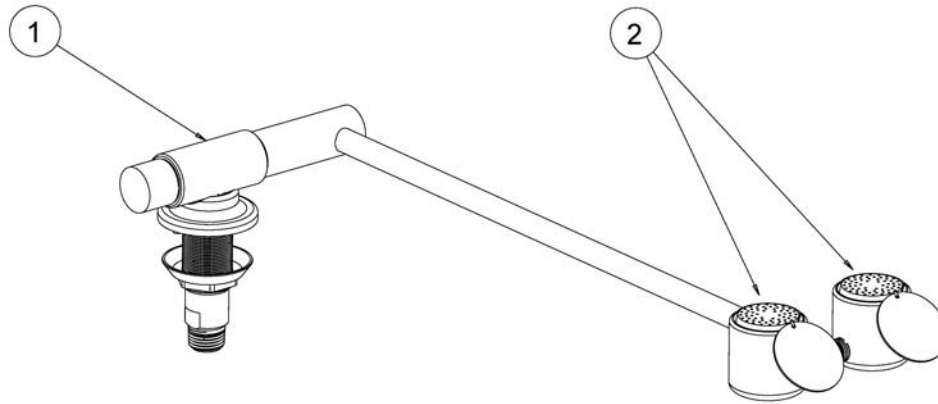
The eye/face wash is activated by pulling spray heads downward 90° over the sink basin. Once the unit is activated, water will discharge from the spray outlets until the eye/face wash spray heads are manually pushed back to the vertical off position.

TESTING PROGRAM

The American National Standards Institute (ANSI) states that all safety emergency equipment shall be activated on a weekly basis to flush the line and verify proper operation. Speakman Company furnishes a testing record tag (91-0635) with each unit. On this tag the date of inspection and the inspector’s initials should be noted.

MAINTENANCE

The valve, eye/face wash spray heads, and O-rings are the only portions of the unit that may require maintenance. Should you need parts to repair this unit, please reference the parts listing below for the correct part required. Before any maintenance is done *be sure to shut the water supply off.*



SE-573 REPLACEMENT/REPAIR PARTS

<u>ITEM</u>	<u>PART/GROUP #</u>	<u>DESCRIPTION</u>
1	RPG20-2015	Swing Down Eye/Face Wash Valve Assembly
2	RPG38-0421	Non-Aerated Spray Head Assembly
	RPG05-0673	Internal O-rings, Screws for Valve

WARNING: Use only genuine Speakman parts when repairing or replacing components. To order parts call 1-800-537-2107

FLOW DATA

EYEWASH:

FLOW PRESSURE PSI (BAR)	30 (2.07)
FLOW RATE GPM (LPM)	3.9 (15)

Note: All units meet existing ANSI Z358.1 Standards and OSHA Rules. Product improvements may cause specification and dimensional changes without notice.

NOTE: This unit should be connected to an uninterrupted source of potable water, with a minimum flowing pressure of 30 PSI and a maximum static pressure of 125 PSI.

SPEAKMAN®
 PO Box 191 Wilmington, DE 19899 Phone: 800-537-2107 Fax: 800-977-2747
 Visit us on the web at www.speakmancompany.com