

SPEAKMAN COMPANY

SE-572 Installation, Maintenance & Operation Instructions

EYESAVER® EYEWASH

DESCRIPTION

Deck mounted emergency eyewash. Supplied with stay-open full flow ball valve; activated by stainless steel push handle; twin spray outlets with individual flow restrictor, and flip-off dust covers. Unit swivels 90° for easy access to sink, and mounts on counter tops up to 1-1/4" thick.

SPECIFICATIONS

SPRAY HEADS: (2) Aerated Yellow ABS Plastic Spray Outlet, Spray face, and Dust Cover.

VALVE: 1/2" NPT Female Brass, Chrome-Plated.

ACTIVATOR: Stainless Steel Push Handle.

INLET: 1/2" NPSM.

SHIPPING WEIGHT: 4.16 lbs.

EMERGENCY SIGN: 7-7/8" x 7-7/8" Plastic Wall Sign.

OPTIONS

◇ AL1 (Air Horn Alarm)	◇ ILS (In-Line Strainer)
◇ AL3 (Electrical Alarm)	◇ VPL (Vapor Proof Light)
◇ AL2-C1D2 (Electrical Alarm / Haz. Area)	◇ SGN4 (Eye Wash Floor Sign)
◇ AL3-C1D2 (Electrical Alarm / Haz. Area)	◇ FPV (Anti-Freeze Protection Valve)
◇ FLW (Flow Switch)	◇ SPV (Anti-Scald Protection Valve)
◇ SSBV2 (1/2" Stainless Steel Valve)	◇

INSTALLATION

Review drawing (as shown on other side) to assure proper installation. At desired location, drill a 1" diameter hole through countertop (1-1/4" thick max.) Be sure the hole is drilled as straight as possible. Attach eyewash to countertop using supplied hardware, and connect a water supply to unit that is a 1/2" minimum uninterrupted source of potable water (use pipe sealant on connection). Failure to use potable water can result in emergency units producing impure or contaminated water causing possible further injury.

OPERATION

Be sure unit is above sink or drain before activating. The eyewash is activated by pushing the push handle back 90°. Once the unit is activated, water will discharge from the spray outlets until the push handle is manually pulled back to the off position.

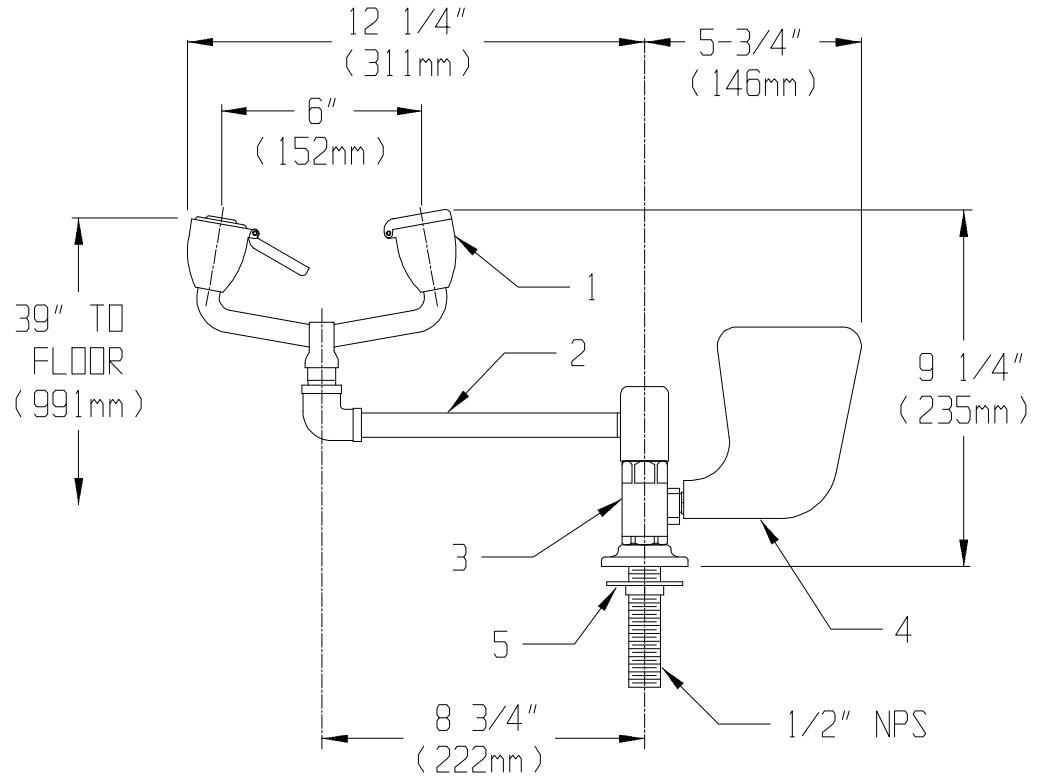
TESTING PROGRAM

The American National Standards Institute (ANSI) states that all safety emergency equipment shall be activated on a weekly basis to flush the line and verify proper operation. Speakman Company furnishes a testing record tag (91-0635) with each unit. On this tag the date of inspection and the inspectors initials should be noted.

MAINTENANCE

The valve and the eyewash are the only portions of the unit that may require maintenance. Should you need parts to repair this unit, please reference the parts listing below for correct part numbers. Before any maintenance is done *be sure to shut the water supply off.*

WARNING: Use only genuine Speakman parts when repairing or replacing components. To order parts call 1-800-537-2107.



SE-572 REPLACEMENT/REPAIR PARTS

<u>ITEM</u>	<u>PART/GROUP #</u>	<u>DESCRIPTION</u>
1	G05-0714	Aerated Bullhorn Assy.
2	31-0546	Eyewash Arm
3	20-0953-PC	1/2" Ball Valve
4	04-0841	Paddle Handle
5	01-0412-MO	1/2"-14 NPSM Locknut

FLOW DATA

EYEWASH:

FLOW PRESSURE PSI (BAR)	30 (2.07)
FLOW RATE GPM (LPM)	3.6 (15)

Note: All units meet existing ANSI Z358.1 Standards and OSHA Rules. Product improvements may cause specification and dimensional changes without notice.

NOTE: This unit should be connected to an uninterrupted source of potable water, with a minimum flowing pressure of 30 PSI and a maximum static pressure of 125 PSI.

SPEAKMAN®
 PO Box 191 Wilmington, DE 19899 Phone: 800-537-2107 Fax: 800-977-2747
 Visit us on the web at www.speakmancompany.com