

SPEAKMAN COMPANY

SE-570 Installation, Maintenance & Operation Instructions

EYESAVER® EYEWASH

DESCRIPTION

Deck mounted emergency eyewash. Supplied with a ¼ turn ceramic PERFECT® valve that is activated when the eyewash is rotated 90° over an open sink. Unit is supplied with an adjustable flow regulator. Aerated spray outlets with individual flow restrictor, and flip-off dust covers. Unit mounts on counter tops up to 2-1/4" thick.

SPECIFICATIONS

SPRAY HEADS: (2) Aerated Yellow ABS Spray Outlet, Spray face, and Dust Covers.

VALVE: ¼ Turn ceramic PERFECT VALVE®.

FLOW REGULATOR: Brass, Chrome-Plated.

INLET: 1/2" NPSM.

SHIPPING WEIGHT: 6 lb.

EMERGENCY SIGN: 7-7/8" X 7-7/8" Plastic Wall Sign.

OPTIONS

◇ ILS (In-Line Strainer)	◇ SE-TW-EW (Thermostatic Mixing Valve)
◇ LH (Left-Hand Operation)	◇

INSTALLATION

Review drawing (as shown on other side) to assure proper installation. At desired location, use the supplied deck plate to mark mounting holes. Drill the 1" diameter hole through the countertop (2-1/4" thick max.), and drill the 1/4" diameter hole a minimum of 5/16" deep. Be sure the holes are drilled as straight as possible. Place eyewash through drilled holes making sure the threaded shank & ¼" stop screw fit with no interference, and that the eyewash is resting flat on the deck plate. Attach eyewash to countertop using the supplied hardware. Install the supplied volume regulator (use thread sealant on all joints), making sure the adjustment screw is facing in a direction that is easily accessible for later adjustment. Connect a water supply to unit that is a 1/2" minimum uninterrupted source of potable water (use pipe sealant on connection). Failure to use potable water can result in emergency units producing impure or contaminated water causing possible further injury.

OPERATION

Be sure unit is above sink or drain before activating. The eyewash is activated by grasping the eyewash and rotating it 90° to the full open position. Once the unit is activated, water will discharge from the spray outlets until the eyewash is manually rotated back to the off position.

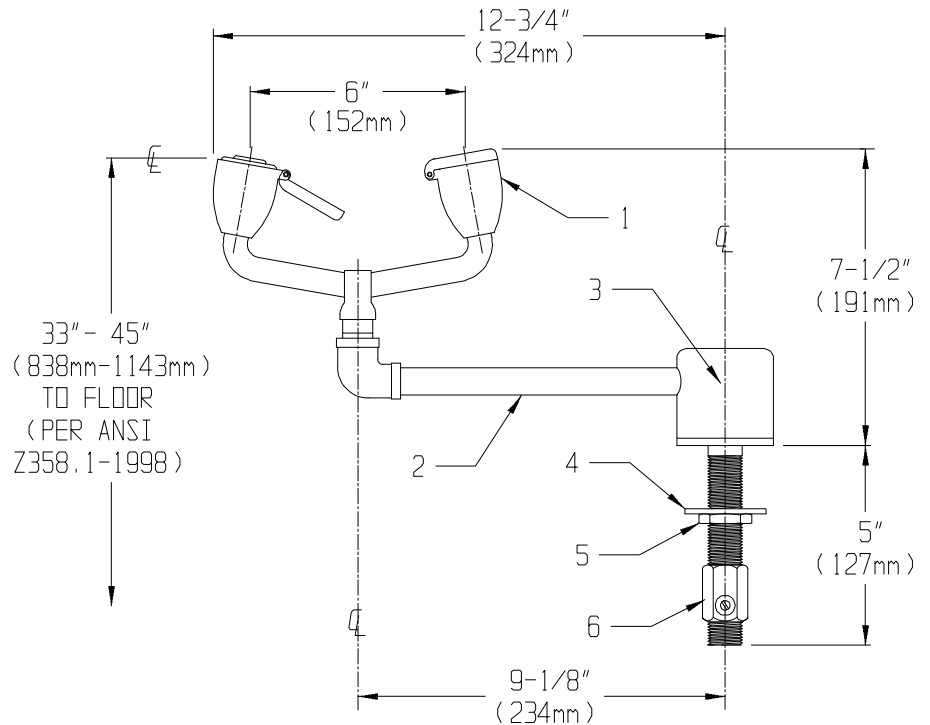
TESTING PROGRAM

The American National Standards Institute (ANSI) states that all safety emergency equipment shall be activated on a weekly basis to flush the line and verify proper operation. Speakman Company furnishes a testing record tag (91-0635) with each unit. On this tag the date of inspection and the inspectors initials should be noted.

MAINTENANCE

The valve and the eyewash aerators are the only portions of the unit that may require maintenance. Should you need parts to repair this unit, please reference the parts listing below for correct part numbers. Before any maintenance is done *be sure to shut the water supply off.*

WARNING: Use only genuine Speakman parts when repairing or replacing components. To order parts call 1-800-537-2107.



SE-570 REPLACEMENT/REPAIR PARTS

<u>ITEM</u>	<u>PART/GROUP #</u>	<u>DESCRIPTION</u>
1	G05-0714	Aerated Bull Horn Assembly
2	31-0546	Eyewash Arm
3	RPG05-0686	PERFECT® Valve (Not Shown)
4	45-0678	Flat Steel Washer
5	01-0412-MO	½" – 14 NPSM Locknut
6	G20-1940-RCP	½" Volume Regulator

FLOW DATA

EYEWASH:

FLOW PRESSURE PSI (BAR)	15 (1)
FLOW RATE GPM (LPM)	3 (11)

Note: All units meet existing ANSI Z358.1 Standards and OSHA Rules. Product improvements may cause specification and dimensional changes without notice.

NOTE: This unit should be connected to an uninterrupted source of potable water, with a minimum flowing pressure of 15 PSI and a maximum static pressure of 80 PSI.

SPEAKMAN®
 PO Box 191 Wilmington, DE 19899 Phone: 800-537-2107 Fax: 800-977-2747
 Visit us on the web at www.speakmancompany.com