

SPEAKMAN COMPANY

SE-227-SS Installation, Maintenance & Operation Instructions

LIFESAVER® EMERGENCY SHOWER

DESCRIPTION

Emergency deluge shower supplied with stay-open full flow ball valve, activated by triangular pull rod.

SPECIFICATIONS

SHOWER HEAD: 8" Dia. Stainless Steel Deluge Head.
FLOW CONTROL: Internal 20 gpm Restrictor.
VALVE: 1" NPT Female Stainless Steel. Stay-Open Valve.
ACTIVATOR: Stainless Steel Triangular Pull Rod.
INLET: 1" NPT Female.
PIPE: 1" NPT Stainless Steel.
SHIPPING WEIGHT: 7 lb.
EMERGENCY SIGN: 7-7/8" x 7-7/8" Plastic Wall Sign.

OPTIONS

◇ AL1 (Air Horn Alarm)	◇ AL3-C1D2 (Electrical Alarm / Haz. Area)	◇ SGN5 (Shower Floor Sign)
◇ AL2 (Electrical Alarm)	◇ STALL (Shower Stall)	◇ FPV (Anti-Freeze Protection Valve)
◇ AL3 (Electrical Alarm)	◇ FLW (Flow Switch)	◇ VPL (Vapor Proof Light)
◇ AL2-C1D2 (Electrical Alarm / Haz. Area)	◇ SPV (Anti-Scald Protection Valve)	◇

INSTALLATION

Assemble unit to a 1" supply pipe that has an uninterrupted source of potable water. Use pipe sealant on this joint. Review drawing (as shown on other side) to assure proper installation. Failure to use potable water can result in emergency units producing impure or contaminated water causing possible further injury.

OPERATION

This shower is activated by pulling downward on the stainless steel pull rod. The valve will continue to discharge water until the rod is manually pushed up to the off position.

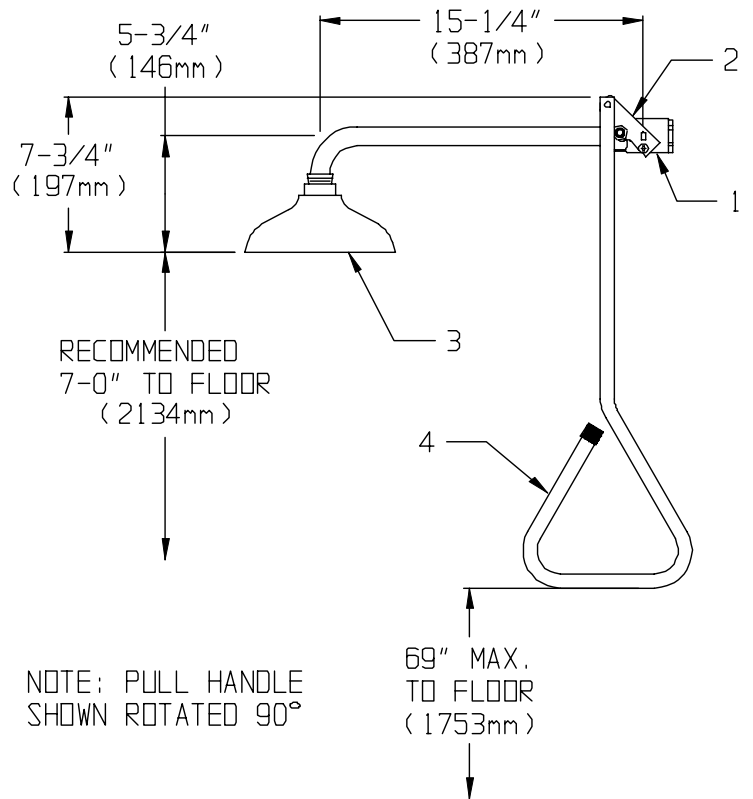
TESTING PROGRAM

The American National Standards Institute (ANSI) states that all safety emergency equipment shall be activated on a weekly basis to flush the line and verify proper operation. Speakman Company furnishes a testing record tag (91-0635) with each unit. On this tag the date of inspection and the inspectors initials should be noted.

MAINTENANCE

Should you need parts to repair this unit, please reference the parts listing below for correct part numbers. Reference additional technical sheets (supplied) for information on the SE-880 shower head. Before any maintenance is done **be sure to shut the water supply off.**

WARNING: Use only genuine Speakman parts when repairing or replacing components. To order parts call 1-800-537-2107.



SE-227-SS REPLACEMENT/REPAIR PARTS

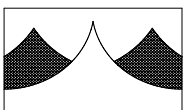
ITEM	PART/GROUP #	DESCRIPTION
1	20-0931-SS	1" Stay-Open Valve
2	G04-0723	Short Lever Handle w/Plunger
3	SE-880	8" Shower Head
4	G47-0043	S/S Tube Pull Handle

FLOW DATA

SHOWER:

FLOW PRESSURE PSI (BAR)	20 (1.38)	60 (4.14)
FLOW RATE GPM (LPM)	20 (75)	25 (94)

NOTE: This unit should be connected to an uninterrupted source of potable water, with a minimum flowing pressure of 20 PSI and a maximum static pressure of 125 PSI.



SPEAKMAN COMPANY
 The Quality leader Since 1869
 P.O. Box 191, Wilmington, DE 19899-0191 USA
 1-800-537-2107, Fax: 1-800-977-2747

Note: All units meet existing ANSI Z358.1 1998 Standards and OSHA Rules. Product improvements may cause specification and dimensional changes without notice.