

SPEAKMAN COMPANY

SE-220 Installation, Maintenance & Operation Instructions

LIFESAVER® EMERGENCY SHOWER

DESCRIPTION

Emergency deluge shower supplied with stay-open full flow ball valve, activated by triangular pull rod.

SPECIFICATIONS

SHOWER HEAD: 8" Dia. CYCOLAC® Yellow Plastic.
FLOW CONTROL: Internal 20 gpm Regulator.
VALVE: 1" NPT Female Brass, Chrome-Plated. Stay-Open Valve.
ACTIVATOR: Powder Coated Yellow, Aluminum Triangular Pull Rod.
INLET: 1" NPT Female.
SHIPPING WEIGHT: 6.65 lb.
EMERGENCY SIGN: 7-7/8" x 7-7/8" Plastic Wall Sign.

OPTIONS

◇ AL1 (Air Horn Alarm)	◇ FLW (Flow Switch)	◇ FPV (Anti-Freeze Protection Valve)
◇ AL2 (Electrical Alarm)	◇ STALL (Shower Stall)	◇ SPV (Anti-Scald Protection Valve)
◇ AL3 (Electrical Alarm)	◇ PC (Polished Chrome Shower Head)	◇ VPL (Vapor Proof Light)
◇ AL2-C1D2 (Electrical Alarm / Haz. Area)	◇ BH (Brass Shower Head)	◇ SSBV1 (Stainless Steel Ball Valve)
◇ AL3-C1D2 (Electrical Alarm / Haz. Area)	◇ SSH (Stainless Steel Shower Head)	◇ SGN5 (Shower Floor Sign)

INSTALLATION

Assemble unit to a 1" supply that has an uninterrupted source of potable water. Use pipe sealant on this joint. Review drawing (as shown on other side) to assure proper installation. Failure to use potable water can result in emergency units producing impure or contaminated water causing possible further injury.

OPERATION

This shower is activated by pulling downward on the stainless steel pull rod. The valve will continue to discharge water until the rod is manually pushed back to the off position.

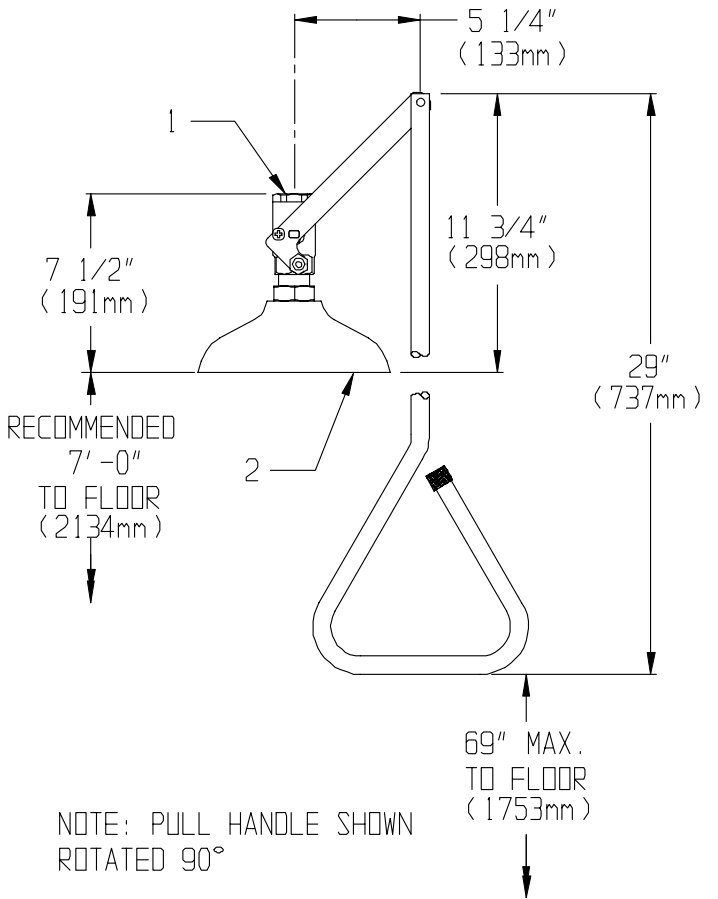
TESTING PROGRAM

The American National Standards Institute (ANSI) states that all safety emergency equipment shall be activated on a weekly basis to flush the line and verify proper operation. Speakman Company furnishes a testing record tag (91-0635) with each unit. On this tag the date of inspection and the inspectors initials should be noted.

MAINTENANCE

Should you need parts to repair this unit, please reference the parts listing below for correct part numbers. Reference additional technical sheets (supplied) for information on the SE-911 stay-open valve and the SE-870 shower head. Before any maintenance is done **be sure to shut the water supply off.**

WARNING: Use only genuine Speakman parts when repairing or replacing components. To order parts call 1-800-537-2107.



SE-220 REPLACEMENT/REPAIR PARTS

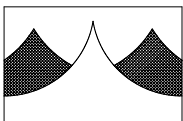
<u>ITEM</u>	<u>PART/GROUP #</u>	<u>DESCRIPTION</u>
1	SE-911-PR	1" Stay-Open Valve w/ Lever and Pull Rod
2	SE-870	8" Plastic Shower Head

FLOW DATA

SHOWER:

FLOW PRESSURE PSI (BAR)	20 (1.38)	60 (4.14)
FLOW RATE GPM (LPM)	20 (75)	25 (94)

NOTE: This unit should be connected to an uninterrupted source of potable water, with a minimum flowing pressure of 20 PSI and a maximum static pressure of 125 PSI.



SPEAKMAN COMPANY
 The Quality leader Since 1869
 P.O. Box 191, Wilmington, DE 19899-0191 USA
 1-800-537-2107, Fax: 1-800-977-2747

Note: All units meet existing ANSI Z358.1 1998 Standards and OSHA Rules. Product improvements may cause specification and dimensional changes without notice.