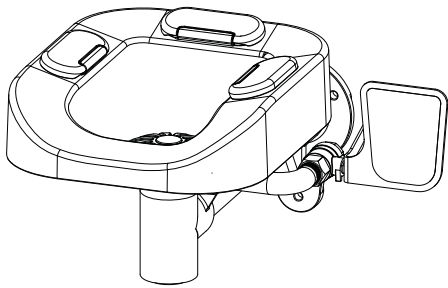


INSTRUCTIONS FOR MODELS

OPTIMUS™


SE-1000
SE-1050
SE-1055



NEED HELP?

For additional assistance or service please contact:

SPEAKMAN® Company
400 Anchor Mill Road
New Castle, DE 19720

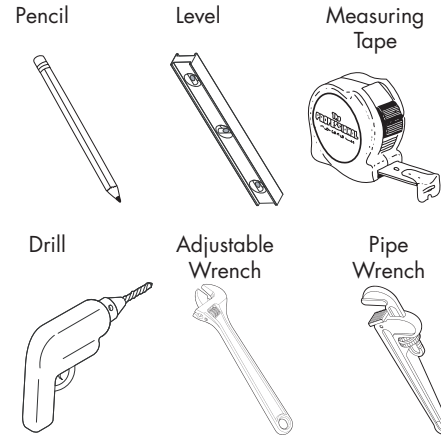
 800-537-2107

 customerservice@speakmancompany.com

 www.speakmancompany.com

92-SE-1000-1055-R4

TOOLS AND SUPPLIES



⚠ IMPORTANT ⚠

ANSI Z358.1 states that weekly activation should be conducted on all plumbed emergency equipment to ensure that there is a suitable flushing fluid supply present and to clear the supply line of any sediment build-up. Also per the standard, the unit should be checked annually to ensure the unit still complies with the installation section (7.4) of the ANSI Z358.1 standard. ANSI Z358.1 specifies that the height of the spray heads is to be between 33" - 45" from the floor. The SE-1000/1050/1055 unit shall be mounted ensuring the mounting surface (wall, etc.) and mounting hardware are sufficient to carry the load. Be sure to read instructions thoroughly before beginning installation. Use thread locker on all threaded connections. Make sure Eye/Face wash is level and plumb. Do not overtighten any connections or damage may occur. **SPEAKMAN** furnishes a testing record tag (91-0635) with each unit. On this tag, the date of inspection and the inspector's initials should be noted.

SAFETY TIPS ⬇

Be sure to wear eye protection.

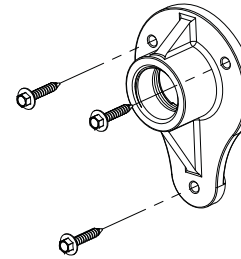
MAINTENANCE ⬇

Please reference the parts listing for the correct repair part numbers. Only use genuine **SPEAKMAN** parts when repairing or replacing components. To order parts, call 1-800-537-2107. Be sure to turn off water supplies before beginning any maintenance. See Page 2 for cleaning instructions.

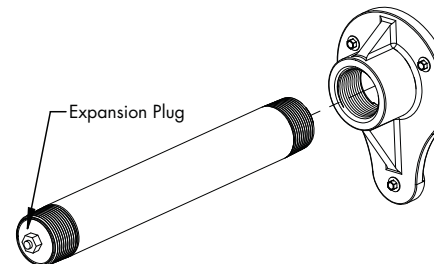
WARRANTY ⬇

3 year limited warranty.
Additional warranty information can be found at:
www.speakmancompany.com

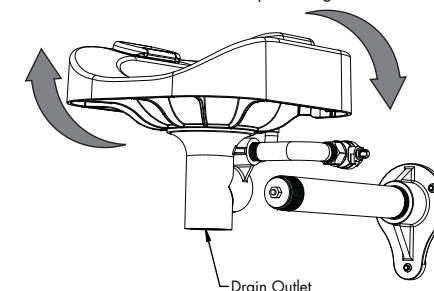
- 1 After referring to the Rough-In Diagram, select a suitable plumb mounting location for the Wall Bracket. Mark and drill holes according to hardware selection specifications. Use selected hardware to secure the Wall Bracket to the mounting surface.



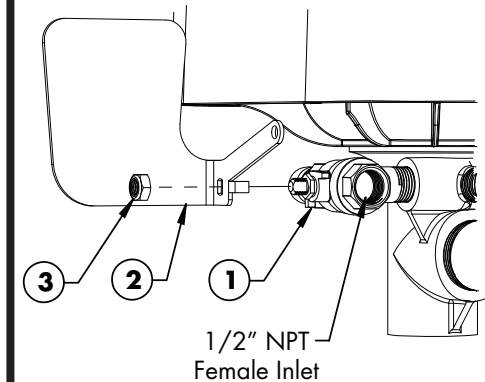
- 2 Insert 1-1/4" x 11-5/8" Pipe (opposite end with Expansion Plug) into the Wall Bracket. Tighten connection, being careful not to damage pipe finish.



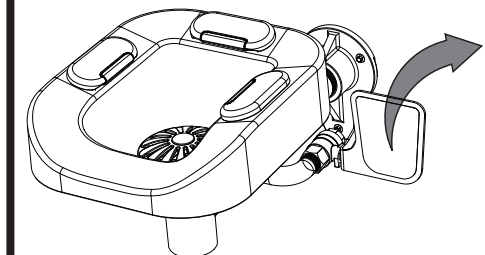
- 3 Thread entire Bowl Assembly to the plugged end of Pipe, ensuring the Bowl is level and plumb when completely secured. Connect the Drain Outlet to an adequate drain in accordance with local plumbing codes.



- 4 Install Paddle Handle (2) to Ball Valve (1) with Nut (3). Connect an uninterrupted potable water supply with a minimum flowing pressure of 30psi and a maximum static pressure of 60psi to the 1/2" NPT female water supply inlet.

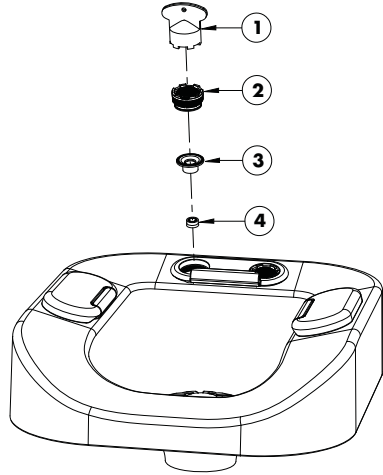


- 5 To test, and for subsequent operation, push the Paddle Handle forward 90°. The unit will operate until the Paddle Handle is manually pulled back to the OFF position.



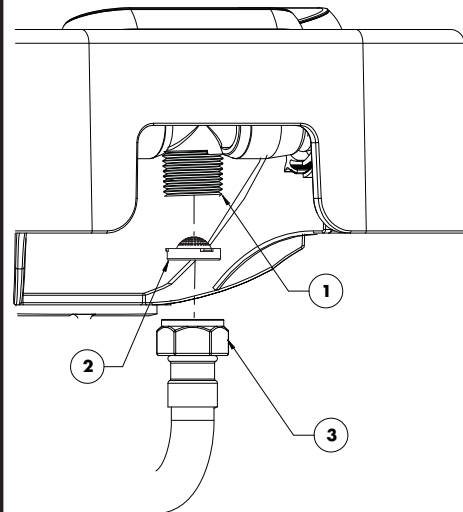
To Clean the Aerated Outlets:

Using the Aerator Wrench ①, remove the Aerator ②. The Flow Control Housing ③ will come out next, with the Flow Control ④ inside of it. Remove the Flow Control and check for debris surrounding the o-ring. Flush with clean water. Check the mesh on the back of the Aerator for debris. Flush with clean water.



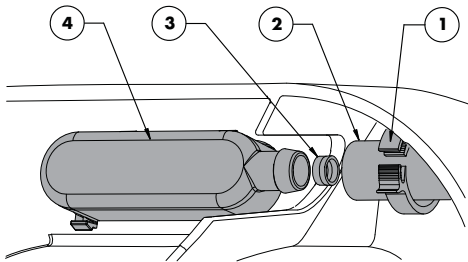
To Clean the In-Line Strainer:

Begin by removing Supply Hose ③ from Hose Manifold Tee ①. The Strainer ② will be located inside the threading of Supply Hose ③. Remove Strainer ② and check for debris. Flush with clean water.



To Clean the Non-Aerated Outlets:

Begin by removing the Hose Clamp ①, then remove Hose ② from Housing ④. Flow Control ③ can be seen inside Housing ④ at this point. Remove Flow Control and check for debris surrounding the o-ring. Flush with clean water.

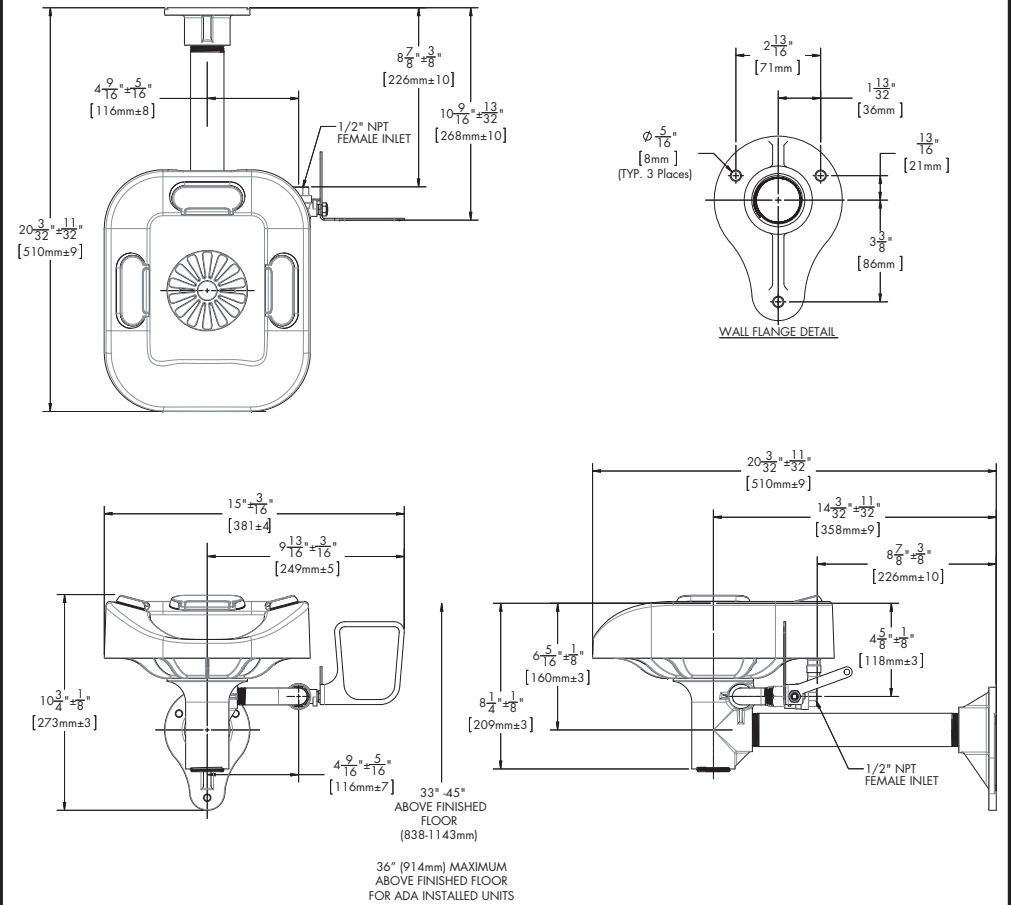


Flow Data:

SE-1000 FLOW DATA

PRESSURE		FLOW RATE	
psi	bar	gpm	L/min
30	2.07	4.9	18.5
60	4.14	5.0	18.9

ROUGH IN DIMENSIONS



REPAIR PART GROUPS

Part No.	Description
RPG49-0010	Spray Outlet Gaskets
RPG07-0023	Dust Cover Group
RPG63-0087	Stainless Steel Flex Hose
RPG05-2500	Aerators (6)
RPG05-0936	Complete Spray System Replacement Group
SE-910	1/2" Ball Valve with Paddle Handle
SE-910-SSBV	1/2" Stainless Steel Ball Valve with Paddle Handle