

SPEAKMAN COMPANY

AL-1 Installation, Maintenance & Operation Instructions

ALARM SYSTEM

DESCRIPTION

Alarm is an air filled canister that is activated by a pull chain. Unit includes mounting hardware.

SPECIFICATIONS

ACTIVATOR: 19" Chain.

CANISTER CONTENTS: Tetrafluoroethane.

INSTALLATION

Unit is secured to emergency equipment using mounting bracket with a worm-screw clamp. Position alarm unit so that there is minimal slack in the chain. Chain is to be connected to the activator of the equipment by means of an S-hook.

OPERATION

When emergency equipment is activated horn sounds automatically.

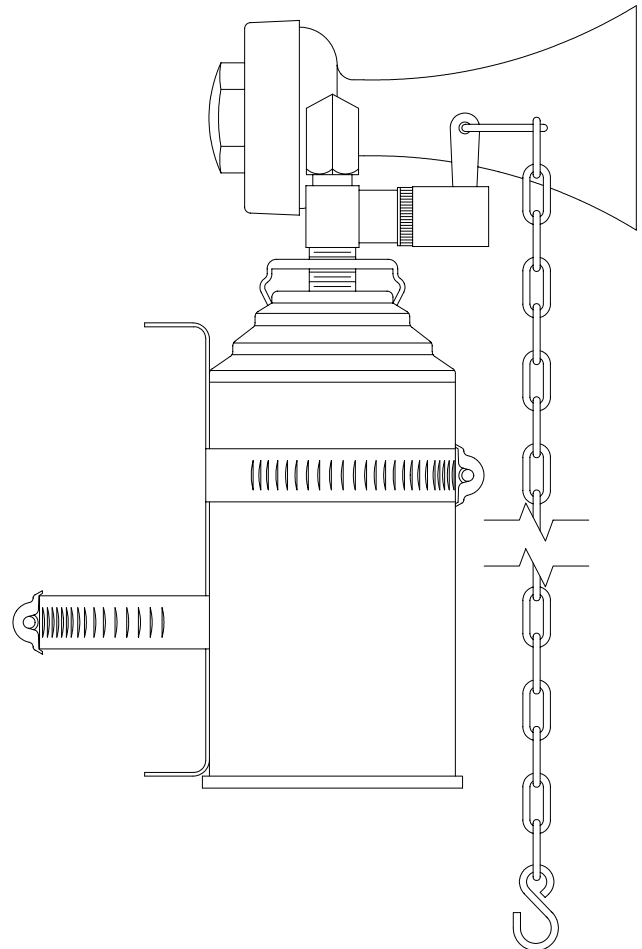
MAINTENANCE

This is a disposable type alarm. Once pressurized contents is gone it must be replaced with a new unit.

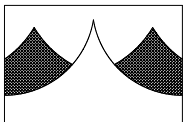
WARNING: Use only genuine Speakman parts when repairing or replacing components. To order parts call 1-800-537-2107.

AL-1 REPLACEMENT/REPAIR PARTS

<u>ITEM</u>	<u>PART/GROUP #</u>	<u>DESCRIPTION</u>
1	AL-1	Air Horn Alarm



5/98



SPEAKMAN COMPANY
The Quality leader since 1869
P.O. Box 191, Wilmington, DE 19899-0191 USA
1-800-537-2107, Fax: 1-800-977-2747

92-1548 Rev-2